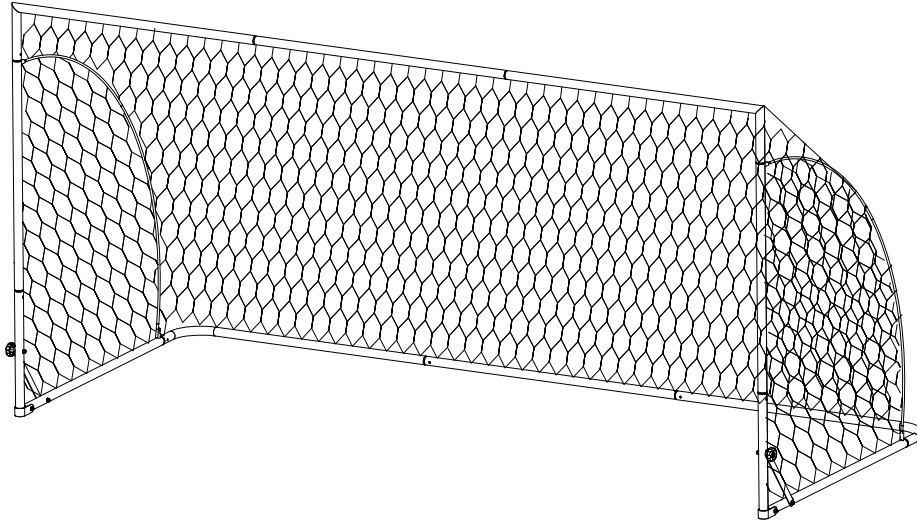


PRIMED

Style Number: STQ30013 Primed 12x6L Steel Soccer Goal



WARNING!

To avoid injury during assembly, disassembly, use, adjustment and/or location of the Primed Steel Soccer Goal, please observe the following WARNINGS:

- Two competent adults are required to assemble, disassemble, adjust, and/or locate the Primed Steel Soccer Goal.
- Extreme caution and appropriate judgment should ALWAYS be exercised when assembling, disassembling, using, adjusting, or locating the Primed Steel Soccer Goal.
- NEVER climb on or hang from the Primed Steel Soccer Goal.
- ALWAYS anchor the Primed Steel Soccer Goal as instructed prior to use. An unsecured goal can cause serious injury.
- The Primed Steel Soccer Goal should be placed on a flat surface that is suitable for play while ensuring maximum user safety.
- Do not leave the Primed Steel Soccer Goal outdoors in inclement weather as moisture and other elements may adversely affect the performance of the unit.
- Ensure all components are properly assembled prior to use.
- Examine your Primed Steel Soccer Goal regularly for wear and tear. Discontinue use immediately if any defect is found.
- Keep away from fire and heat sources.
- **CHOKING HAZARD!** Unassembled parts may be a choking hazard for children 3 years and younger. Adult assembly and supervision is required.
- Failure to follow the above mentioned Warnings may result in injury.

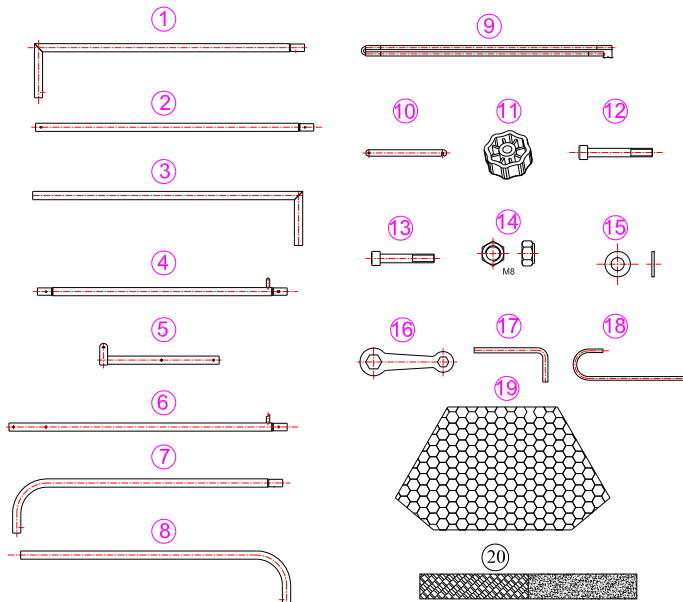
PRIMED

Style Number: STQ30013 Primed 12x6L Steel Soccer Goal

PACKAGING CONTENTS:

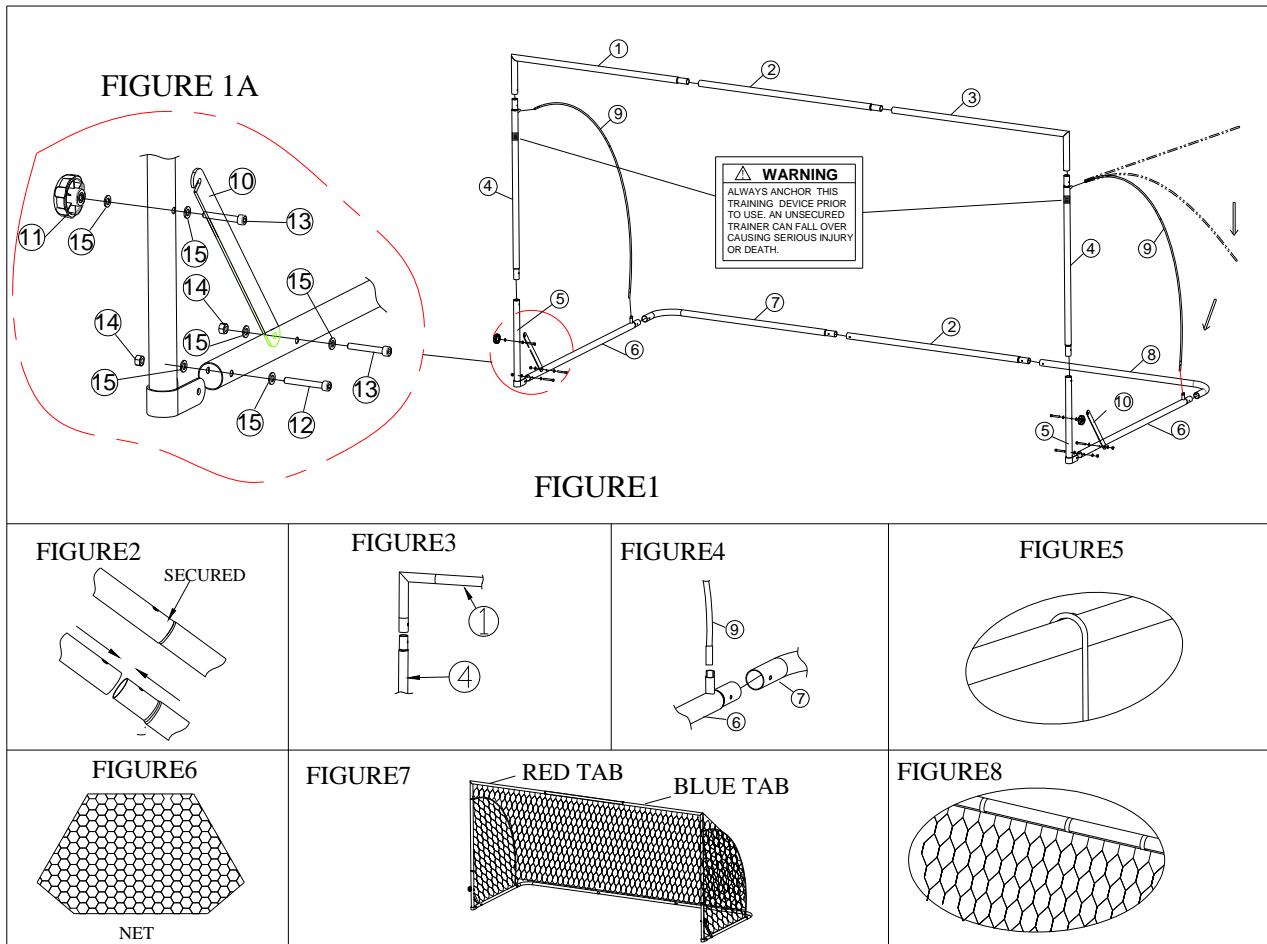
PART NO.	DESCRIPTION	12' x 6' x 5'	
		SPEC/DIMENSIONS	QTY
1	L-Shaped Pole	49.2"	1
2	Straight Pole	50.7"	2
3	L-Shaped- Pole	49.2"	1
4	Straight Pole	45.5"	2
5	Lower Pole	21.7"	2
6	Straight Pole	50.7"	2
7	L-Shaped- Pole	49.2"	1
8	L-Shaped- Pole	49.2"	1
9	Plastic Bar	44.9"	2
10	Connecting Plate	14.7"	2
11	Plastic Knob Nut M8	---	2
12	Bolt M8*60 (Long Bolt)	---	2
13	Bolt M8*55 (Short Bolt)	---	4
14	Hex Nut M8	---	4
15	Washer M8	---	12
16	Allen Wrench	---	1
17	Wrench	---	1
18	Ground J-Hook	---	8
19	Net	---	1
20	NET TIE	---	60

DIAGRAMS FOR PARTS:



PRIMED

Style Number: STQ30013 Primed 12x6L Steel Soccer Goal



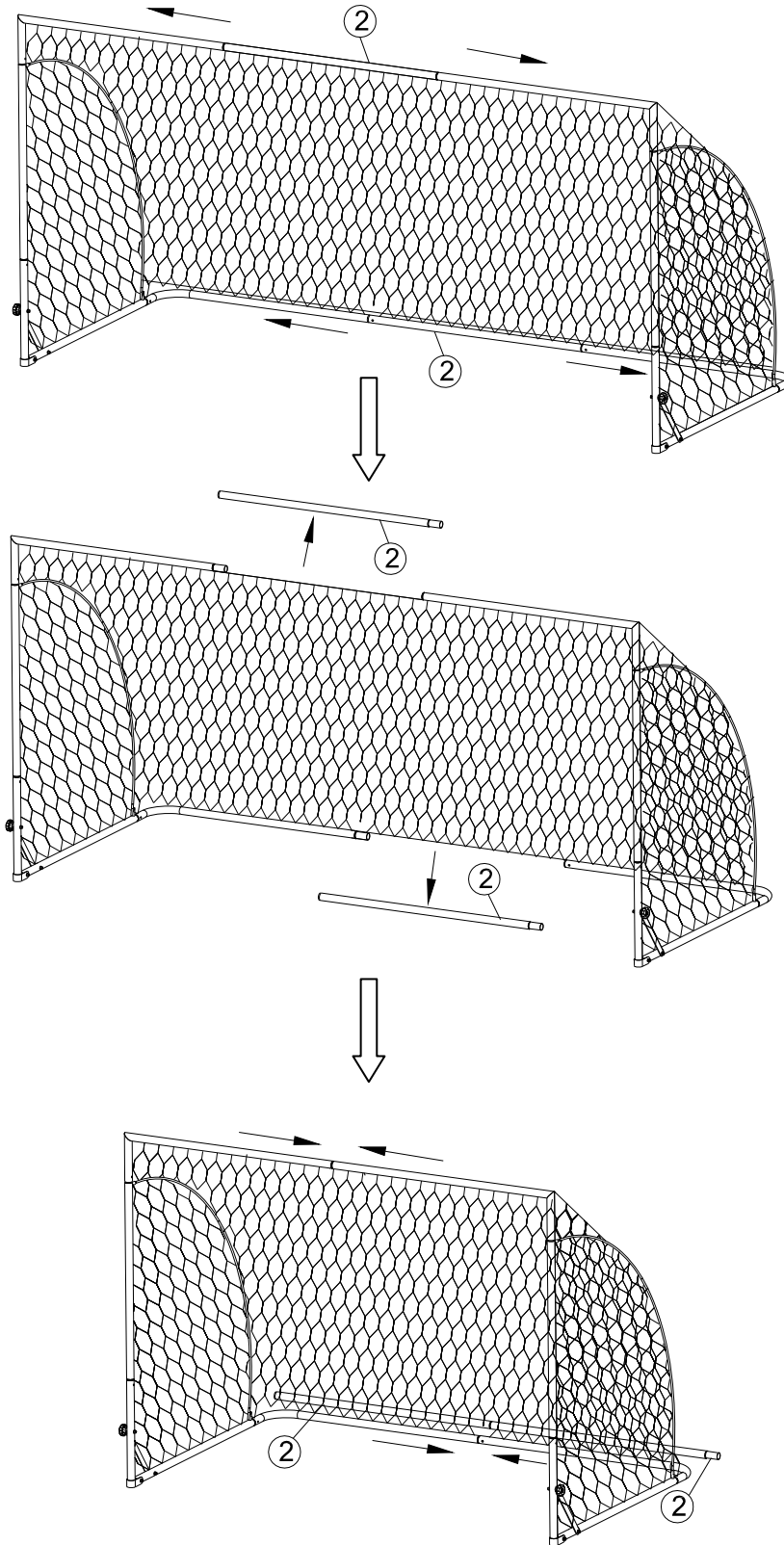
ASSEMBLING THE SOCCER GOAL

ASSEMBLE FRAME AS SHOWN IN **FIGURE 1**. DURING ASSEMBLY, BE SURE THAT ALL SNAP BUTTONS ARE SECURED AS SEEN IN **FIGURE 2**.

1. BEGIN BY BUILDING THE BOTTOM FRAME: CONNECT BASE PARTS # 1, #2 , #3, #4, #5.
2. CONTINUE BY BUILDING THE SIDE FRAMES: CONNECT PARTS #3 TO THE BASE FRAME #4 AND #5.
3. BUILD THE TOP FRAME: CONNECT PARTS #1 & #2 AND ATTACH TO THE SIDE FRAME POLES #3 AS SEEN IN **FIGURE 4**.
4. THIS COMPLETES THE FRAME ASSEMBLY.
5. FINISH ASSEMBLING THE GOAL BY ADDING THE GOAL NET:
6. SPREAD THE NET ON THE GROUND AS IN **FIGURE 5**. LOCATE THE RED TAB IN THE UPPER LEFT HAND CORNER AND THE BLUE TAB IN THE UPPER RIGHT HAND CORNER OF THE GOAL NET.
7. STRETCH THE NET EVENLY AROUND THE FRAME AS SEEN IN **FIGURE 6**. THE RED TAB SHOULD BE POSITIONED IN THE UPPER LEFT HAND CORNER AND THE BLUE TAB SHOULD BE IN THE UPPER RIGHT HAND CORNER OF THE GOAL FRAME.
8. USE NET TIE TO ATTACH THE GOAL NET TO THE GOAL FRAME AS IN **FIGURE 7**.
9. FINALLY, POSITION THE GOAL IN A SUITABLE LOCATION AND FIX TO THE GROUND USING THE STEEL GROUND STAKES (PART #8) AS SHOWN IN **FIGURE 3**.

PRIMED

Style Number: STQ30013 Primed 12x6L Steel Soccer Goal





Limited Warranty

Limited Warranty

Dick's Sporting Goods, Inc. (the "Company") warrants this product to be free from defects in workmanship and materials under normal use and conditions for a period of ONE YEAR FROM THE DATE OF ORIGINAL PURCHASE. This Limited Warranty is not transferable and is available only for the original purchaser of the Product. The Company's obligation under this warranty is limited to replacing or repairing the Product, at the discretion of the Company.

EXCEPT AS SPECIFICALLY SET FORTH IN THIS LIMITED WARRANTY, DICK'S SPORTING GOODS, INC. MAKES NO REPRESENTATIONS OR WARRANTIES OF ANY KIND, EXPRESS OR IMPLIED, INCLUDING BUT NOT LIMITED TO ANY IMPLIED WARRANTIES OF MERCHANTABILITY OR FITNESS FOR ANY PARTICULAR PURPOSE WITH RESPECT TO ANY PRODUCT.

Material Covered

Except as detailed below, this Limited Warranty covers defects in materials and workmanship. This Limited Warranty is void if the Product is:

- Damaged through improper use, negligence, abuse, misuse, transportation, damage, acts of nature, or accident, to include failure to follow the assembly and or operating instructions supplied with the product.
- Used in commercial or rental applications.
- Modified or repaired by anyone not authorized by the Company.

Material Not Covered

This Limited Warranty does not cover expendable items including but not limited to: Batteries, light bulbs, fuses, accessories, and other items that experience wear as a result of normal use.

Terms of Coverage

If during the one year LIMITED WARRANTY period, the Company deems any part or component of the Product to be defective, the Company will repair the Product without charge, or at the option of the Company, will replace the Product with new product, either the same or an equivalent item.

The Company's liability is limited to the repair or replacement, at its option of any defective product.

THE COMPANY ASSUMES NO RESPONSIBILITY NOR LIABILITY FOR INDIRECT OR CONSEQUENTIAL DAMAGES OF ANY KIND. THIS LIMITED WARRANTY IS MADE IN LIEU OF ANY AND ALL OTHER WARRANTIES, EXPRESS OR IMPLIED, EXCEPT AS OTHERWISE PROVIDED BY APPLICABLE LAW.

Please direct all Product inquiries to:

Dick's Sporting Goods, Inc.
345 Court Street
Coraopolis, PA 15108
Customer Service
1 866 677 4771
customer.service@dcsfg.com