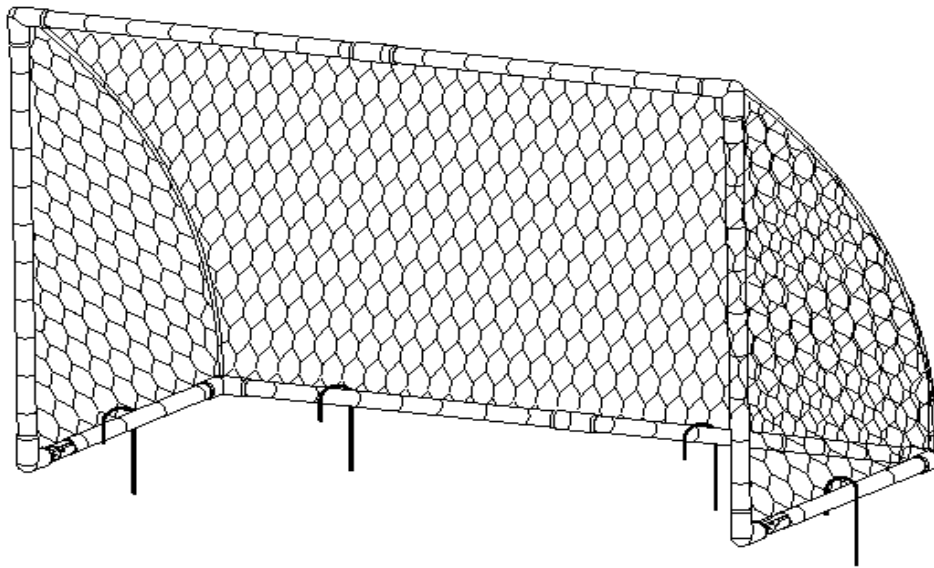


PRIMED

Style Number: PRD00002 PRIMED 6'X 4' TRAINING GOAL



To avoid injury during assembly, disassembly, use, adjustment and/or movement of the PRIMED Training Goal, the following WARNINGS must be observed at all times:

- Adult assembly (2 adults) required for assembly, disassembly, adjusting and moving, the PRIMED Training Goal.
- Adult supervision during use is recommended.
- Extreme caution should ALWAYS be exercised when assembling, disassembling, using, adjusting, moving or locating the PRIMED Training Goal. Children under the age of 12 should not move the goal or handle steel ground stakes.
- WARNING: NEVER climb on or hang from the Training Goal.
- An adult should ALWAYS anchor the PRIMED Training Goal as instructed prior to use. An unsecured goal can cause serious injury.
- The PRIMED Training Goal should be placed on a flat surface that is suitable for play while ensuring maximum user safety. Placing on uneven or sloped surfaces can lead to injury.
- Do not leave the Training Goal outdoors in inclement weather as moisture and other elements may adversely affect the performance of the unit. Do not use in severe winds.
- To extend the life of the product, unit should be stored indoors when not in use. Net should be removed during extended storage.
- Ensure all components are properly assembled prior to use.
- Examine your PRIMED Training Goal regularly for wear and tear. Discontinue use immediately if any defect or damaged parts are found.
- Keep away from fire and heat sources.






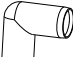
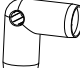




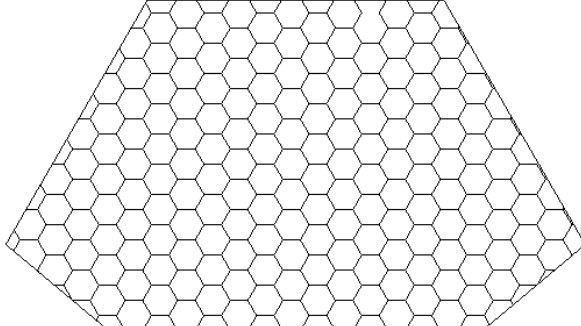
 **WARNING:**

**CHOKING HAZARD--Small parts
Not for children under 3 yrs.**

- Unassembled parts may be a choking hazard for children 3 years and younger. Adult assembly is required.
- Children should not put arms, head, or other body parts in holes in PRIMED Steel Soccer Goal or net. Entrapment and/or strangulation can occur. Failure to follow the above mentioned Warnings may result in serious injury.

PRIMED

Style Number: PRD00002 PRIMED 6'X 4' TRAINING GOAL

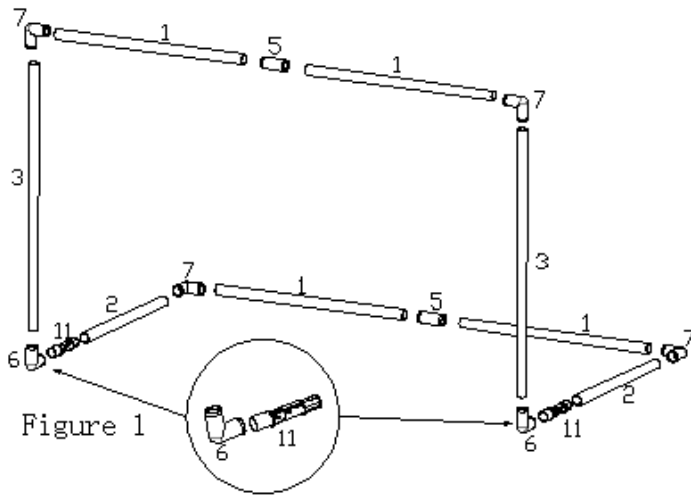
PART NO.	DESCRIPTION	SIZE: 6'X 4'	
		SPEC.	QTY
1	I-SHAPED TUBE 	1.61"×34.1"	4
2	I-SHAPED TUBE 	1.61"×26.6"	2
3	I-SHAPED TUBE 	1.61"×44.25"	2
4	I-SHAPED TUBE 	0.75"×32.68"	4
5	I-SHAPED CONNECTOR 	4.3"	2
6	L-SHAPED CONNECTOR 	3.9"	2
7	L-SHAPED CONNECTOR 	3.9"	4
8	I-SHAPED CONNECTOR 	5.5"	2
9	NET HOOK 	2.1"	30
10	GROUND STAKE 	(φ6×8)"	4
11	COLLAPSIBLECONNECTOR 		2
12	NET 		1

PRIMED

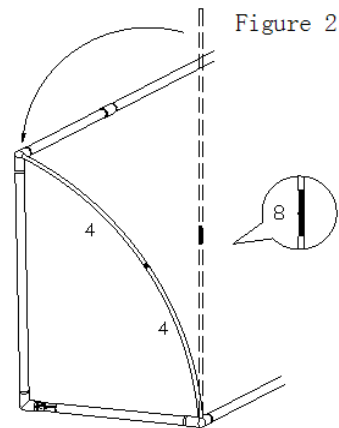
Style Number: PRD00002 PRIMED 6'X 4' TRAINING GOAL

ASSEMBLING THE SOCCER GOAL

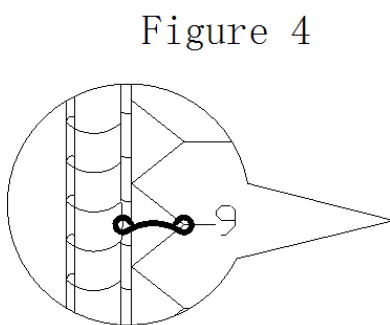
VERIFY THAT ALL COMPONENTS ARE INCLUDED BEFORE ASSEMBLY.



Connect Part #1, #2, #3, #4, #5, #6, #7 and #11 as shown in Figure #1



Connect two of Part #4 using part #8 as shown in Figure #2. Repeat on the opposite side.



Spread the net evenly across the goal frame and use part #9 to hook the net to the frame. See Figure #4

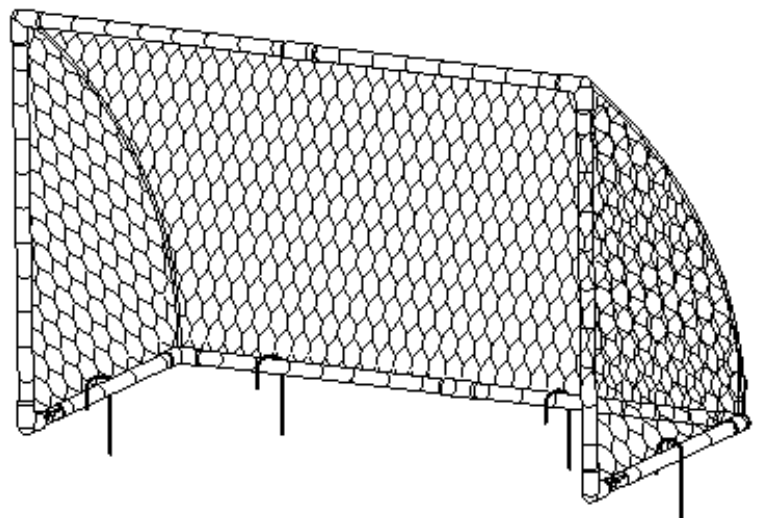


Figure 3. J-hook locations.

Secure the PRIMED Soccer Trainer using Part #10 as shown in Figure #3

PRIMED

Style Number: PRD00002 PRIMED 6'X 4' TRAINING GOAL

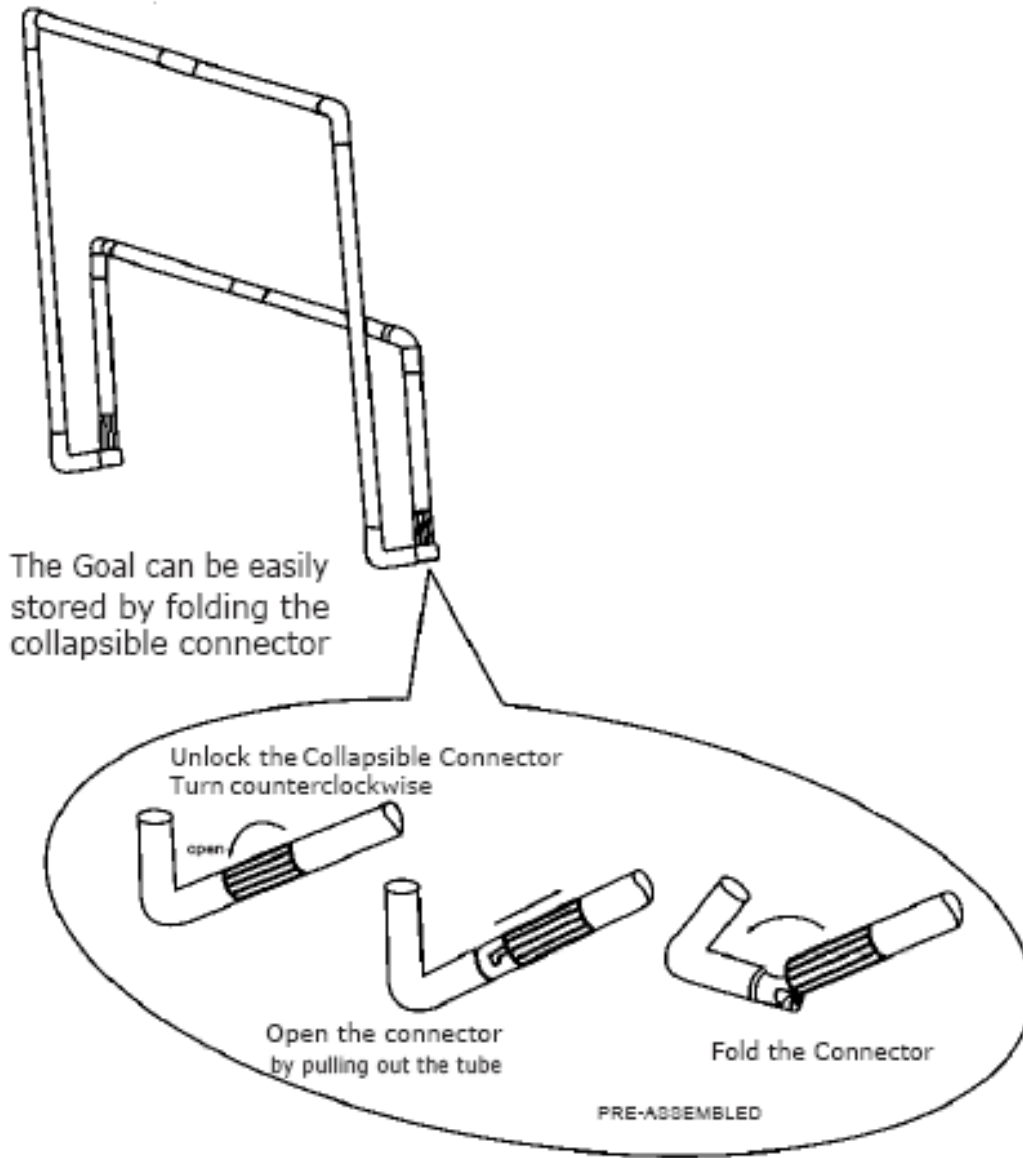


Figure 5. Folding method



Limited Warranty

Limited Warranty

Dick's Sporting Goods, Inc. (the "Company") warrants this product to be free from defects in workmanship and materials under normal use and conditions for a period of ONE YEAR FROM THE DATE OF ORIGINAL PURCHASE. This Limited Warranty is not transferable and is available only for the original purchaser of the Product. The Company's obligation under this warranty is limited to replacing or repairing the Product, at the discretion of the Company.

EXCEPT AS SPECIFICALLY SET FORTH IN THIS LIMITED WARRANTY, DICK'S SPORTING GOODS, INC. MAKES NO REPRESENTATIONS OR WARRANTIES OF ANY KIND, EXPRESS OR IMPLIED, INCLUDING BUT NOT LIMITED TO ANY IMPLIED WARRANTIES OF MERCHANTABILITY OR FITNESS FOR ANY PARTICULAR PURPOSE WITH RESPECT TO ANY PRODUCT.

Material Covered

Except as detailed below, this Limited Warranty covers defects in materials and workmanship. This Limited Warranty is void if the Product is:

- ° Damaged through improper use, negligence, abuse, misuse, transportation, damage, acts of nature, or accident, to include failure to follow the assembly and or operating instructions supplied with the product.
- ° Used in commercial or rental applications.
- ° Modified or repaired by anyone not authorized by the Company.

Material Not Covered

This Limited Warranty does not cover expendable items including but not limited to: Batteries, light bulbs, fuses, accessories, and other items that experience wear as a result of normal use.

Terms of Coverage

If during the one year LIMITED WARRANTY period, the Company deems any part or component of the Product to be defective, the Company will repair the Product without charge, or at the option of the Company, will replace the Product with new product, either the same or an equivalent item.

The Company's liability is limited to the repair or replacement, at its option of any defective product. **THE COMPANY ASSUMES NO RESPONSIBILITY NOR LIABILITY FOR INDIRECT OR CONSEQUENTIAL DAMAGES OF ANY KIND.**

THIS LIMITED WARRANTY IS MADE IN LIEU OF ANY AND ALL OTHER WARRANTIES, EXPRESS OR IMPLIED, EXCEPT AS OTHERWISE PROVIDED BY APPLICABLE LAW.

Please direct all Product inquiries to:

Dick's Sporting Goods, Inc.
345 Court Street
Coraopolis, PA 15108
Customer Service
1 866 677 4771
customer.service@dcs.com