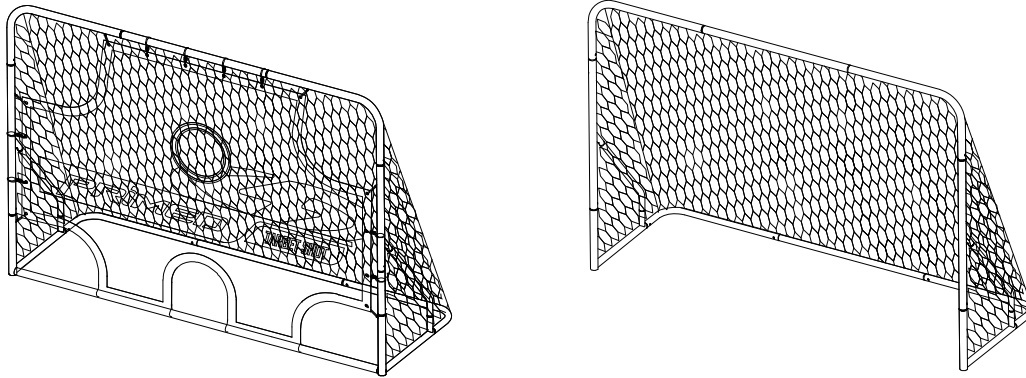


# PRIMED

Style Number: PRD00005 PRIMED 3-in-1 Soccer Trainer

---



To avoid injury during assembly, disassembly, use, adjustment and/or movement of the PRIMED 3-in-1 Soccer Trainer, the following warnings **MUST** be observed at all times:

- Adult assembly (2 adults) required for assembly, disassembly, adjusting and moving the soccer trainer.
- Adult supervision during use is recommended.
- Extreme caution should ALWAYS be exercised when assembling, disassembling, using, adjusting, moving or locating the PRIMED 3-in-1 Soccer Trainer. Children under the age of 12 should not move trainer or handle steel ground stakes.
- **WARNING: NEVER** climb on or hang from the PRIMED 3-in-1 Soccer Trainer.
- An adult should ALWAYS anchor the PRIMED 3-in-1 Soccer Trainer as instructed prior to use. An unsecured trainer can cause serious injury.
- Bungee cord net loops are under tension during assembly, use and disassembly. They must be attached and/or detached carefully.
- The PRIMED 3-in-1 Soccer Trainer should be placed on a flat surface that is suitable for play while ensuring maximum user safety. Placing on uneven or sloped surfaces can lead to injury.
- Do not leave the PRIMED 3-in-1 Soccer Trainer outdoors in inclement weather as moisture and other elements may adversely affect the performance of the unit. Do not use in severe winds.
- To extend the life of the product, unit should be stored indoors when not in use. Net and rebounder/trainer should be removed during extended storage.
- Ensure all components are properly assembled prior to use. Examine your PRIMED 3-in-1 Soccer Trainer regularly for wear and tear. Discontinue use immediately if any defect or damaged parts are found.
- Keep away from fire and heat sources.



**WARNING:**

**CHOKING HAZARD--Small parts  
Not for children under 3 yrs.**

- Unassembled parts may be a choking hazard for children 3 years and younger. Adult assembly is required.
- Children should not put arms, head or other body parts in holes in rebounder or net. Entrapment and/or strangulation can occur.
- Failure to follow the above mentioned Warnings may result in serious injury.

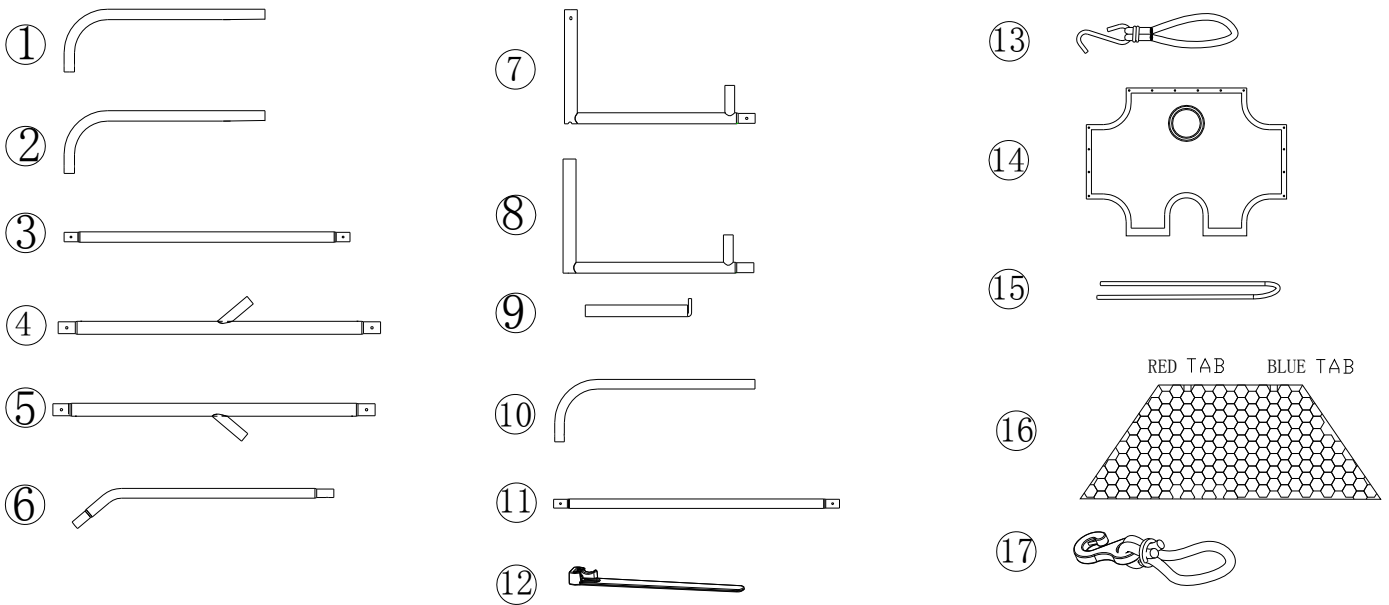
# PRIMED

Style Number: PRD00005 PRIMED 3-in-1 Soccer Trainer

**PACKAGE CONTENTS:**

PART NO.	DESCRIPTION	7' x 5' x 2.5'	
		SPEC/DIMENSION	QTY
1	L-SHAPE POLE		1
2	L-SHAPE POLE		1
3	STRAIGHT POLE		2
4	STRAIGHT POLE		1
5	STRAIGHT POLE		1
6	BENT SUPPORT POLE		2
7	L-SHAPE BASE POLE (LEFT)		1
8	L-SHAPE BASE POLE (RIGHT)		1
9	STRAIGHT FRONT BASE POLE		2
10	L-SHAPE POLE		2
11	STRAIGHT POLE		1
12	NET TIE		40 (4 EXTRA)
13	STEEL HOOK BUNGEE CORD	--	6
14	REBOUNDER/TARGET		1
15	STEEL GROUND STAKE	--	5
16	NET	--	1
17	PLASTIC HOOK BUNGEE CORD	--	8

**DIAGRAMS FOR PARTS**



# PRIMED

## Style Number: PRD00005 PRIMED 3-in-1 Soccer Trainer

### FRAME ASSEMBLY

Verify that all components are included before assembly. Before assembling the frame, it is necessary to slide the bungee cords over the frame tubes. You will need to slide 4 Bungee Cords over Part #3 top tube and 2 Bungee Cords over each of Part #4 and #5 side tubes. Assemble the frame as illustrated in **Figure 1**. Be careful to select the appropriately numbered tubes.

Leave all nuts hand tightened at this stage of assembly.

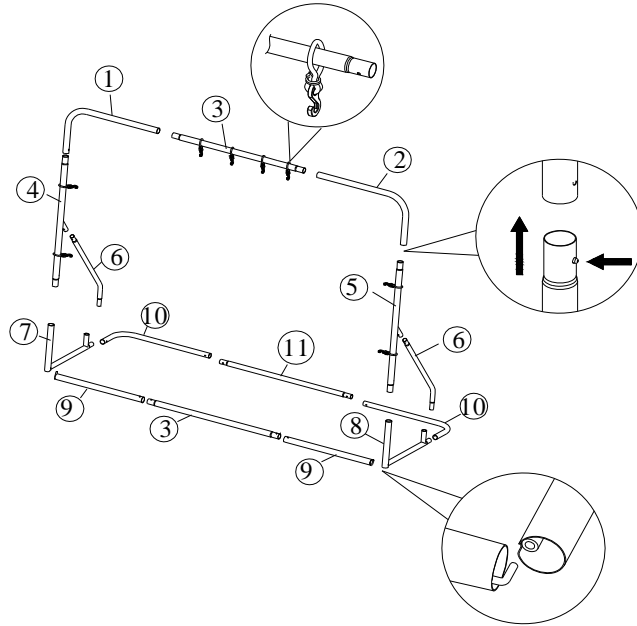


Figure 1. Frame Assembly

### REBOUNDER /TARGET SHOT ASSEMBLY

Remove Part #9 on one or both side from Part #7 and #8 and thread Part #14 Rebounder/Target onto Part #9. Space the Bungee Cords according to the eyelets on Part #14 and hook into position.

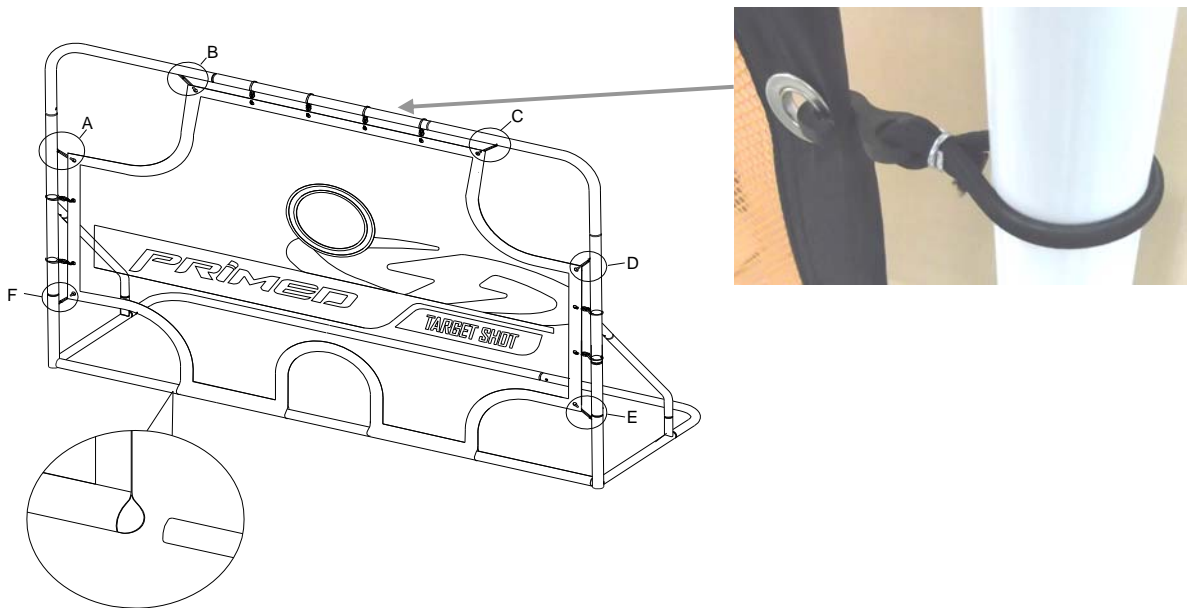


Figure 2. Rebounder and Target Shot Set-up

# PRIMED

Style Number: PRD00005 PRIMED 3-in-1 Soccer Trainer

---

Attached A to F positions Part #13, Steel Hook Bunge Cord, per below pictures steps:



There are two holes at each position to let you adjust the tension.

## FRAME ASSEMBLY – GOAL

Follow the assembly instructions for the Rebounder/Target Shot removing the front base (Component Part #9-3-9).

**CAUTION:** When assembled, the rebounder is under tension. Extreme caution should always be exercised when assembling, disassembling, adjusting, or locating the Powerbolt 3-in-1 Soccer Trainer.

**NOTE:** The net needs to be attached with the rebounder/target shot to catch the balls.

# PRIMED

## Style Number: PRD00005 PRIMED 3-in-1 Soccer Trainer

### NET ASSEMBLY

Spread Part #16 out and locate the two red tabs. Place the net over the frame with the red tabs in the top Left and Right hand corners of the frame. The seam of the net should follow the frame supports. Secure Part #16 to the assembled Goal frame using Part #12. The ties should be evenly spaced over the entire Goal frame.

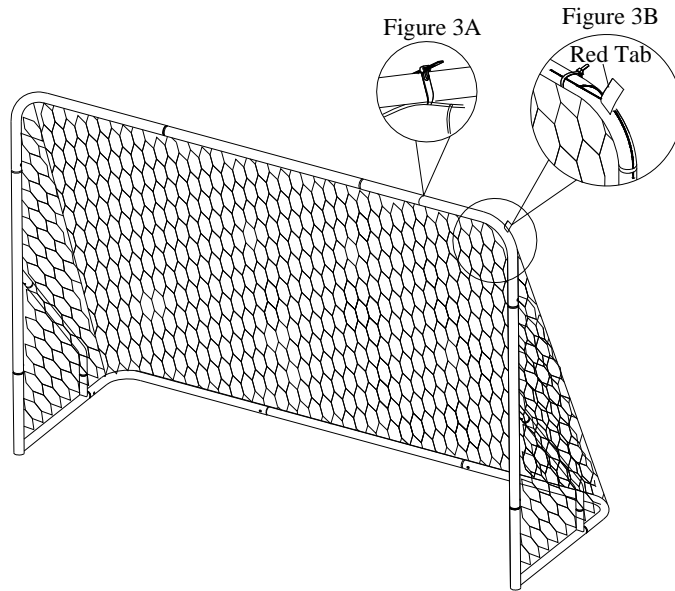


FIGURE 3. Net set-up

### SECURING THE FRAME

Once the frame, rebounder/target shot or net is assembled, tighten all hardware to a secure position. Do not overtighten. The unit may then be appropriately located and secured to the ground using Part #15. Please refer to **Figure 4** below. Secure ground stakes using a mallet.

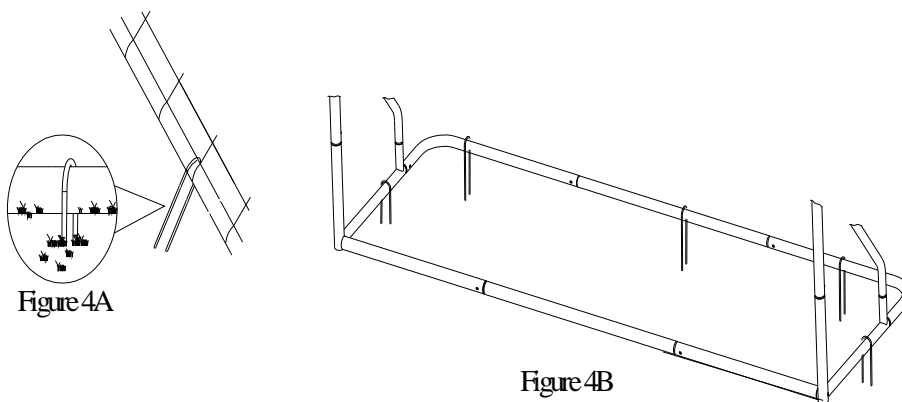


Figure 4. Suggested Ground Stake Positioning



Check before use to ensure that ground stakes are secured. Loose ground stakes may cause injury. Care should be taken when using a mallet as misuse may cause injury or damage to product.



## Limited Warranty

### **Limited Warranty**

Dick's Sporting Goods, Inc. (the "Company") warrants this product to be free from defects in workmanship and materials under normal use and conditions for a period of ONE YEAR FROM THE DATE OF ORIGINAL PURCHASE. This Limited Warranty is not transferable and is available only for the original purchaser of the Product. The Company's obligation under this warranty is limited to replacing or repairing the Product, at the discretion of the Company.

EXCEPT AS SPECIFICALLY SET FORTH IN THIS LIMITED WARRANTY, DICK'S SPORTING GOODS, INC. MAKES NO REPRESENTATIONS OR WARRANTIES OF ANY KIND, EXPRESS OR IMPLIED, INCLUDING BUT NOT LIMITED TO ANY IMPLIED WARRANTIES OF MERCHANTABILITY OR FITNESS FOR ANY PARTICULAR PURPOSE WITH RESPECT TO ANY PRODUCT.

### **Material Covered**

Except as detailed below, this Limited Warranty covers defects in materials and workmanship. This Limited Warranty is void if the Product is:

- ° Damaged through improper use, negligence, abuse, misuse, transportation, damage, acts of nature, or accident, to include failure to follow the assembly and/or operating instructions supplied with the product.
- ° Used in commercial or rental applications.
- ° Modified or repaired by anyone not authorized by the Company.

### **Material Not Covered**

This Limited Warranty does not cover expendable items including but not limited to: Batteries, light bulbs, fuses, accessories, and other items that experience wear as a result of normal use.

### **Terms of Coverage**

If during the one year LIMITED WARRANTY period, the Company deems any part or component of the Product to be defective, the Company will repair the Product without charge, or at the option of the Company, will replace the Product with new product, either the same or an equivalent item.

The Company's liability is limited to the repair or replacement, at its option of any defective product.

**THE COMPANY ASSUMES NO RESPONSIBILITY NOR LIABILITY FOR INDIRECT OR CONSEQUENTIAL DAMAGES OF ANY KIND.**

**THIS LIMITED WARRANTY IS MADE IN LIEU OF ANY AND ALL OTHER WARRANTIES, EXPRESS OR IMPLIED, EXCEPT AS OTHERWISE PROVIDED BY APPLICABLE LAW.**

Please direct all Product inquiries to:

Dick's Sporting Goods, Inc.  
345 Court Street  
Coraopolis, PA 15108  
Customer Service  
1 866 677 4771  
customer.service@dcs.com