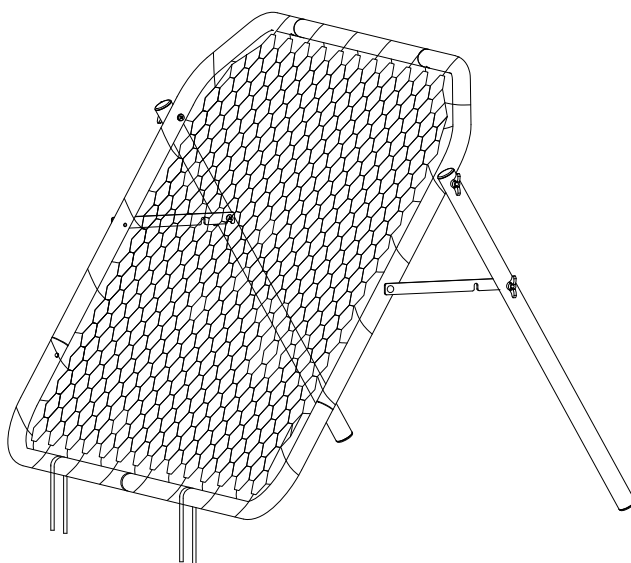


PRIMED

Style Number: PRD00007

Soccer Rebounder



WARNING

To avoid injury during assembly, disassembly, use, adjustment and/or movement of the PRIMED Soccer Rebounder, the following warnings MUST be observed at all times:

- Adult assembly (2 adults) required for assembly, disassembly, adjusting and moving the soccer trainer.
- Adult supervision during use is recommended.
- Extreme caution should ALWAYS be exercised when assembling, disassembling, using, adjusting, moving or locating the PRIMED Soccer Rebounder. Children under the age of 12 should not move trainer or handle steel ground stakes.
- **WARNING: NEVER** climb on or hang from the PRIMED Soccer Rebounder.
- An adult should ALWAYS anchor the PRIMED Soccer Rebounder as instructed prior to use. An unsecured trainer can cause serious injury.
- Bungee cord net loops are under tension during assembly, use and disassembly. They must be attached and/or detached carefully.
- The PRIMED Soccer Rebounder should be placed on a flat surface that is suitable for play while ensuring maximum user safety. Placing on uneven or sloped surfaces can lead to injury.
- Do not leave the PRIMED Soccer Rebounder outdoors in inclement weather as moisture and other elements may adversely affect the performance of the unit. Do not use in severe winds.
- To extend the life of the product, unit should be stored indoors when not in use. Rebounder Net should be removed during extended storage.
- Ensure all components are properly assembled prior to use. Examine your PRIMED Soccer Rebounder regularly for wear and tear. Discontinue use immediately if any defect or damaged parts are found.
- Keep away from fire and heat sources.



WARNING:

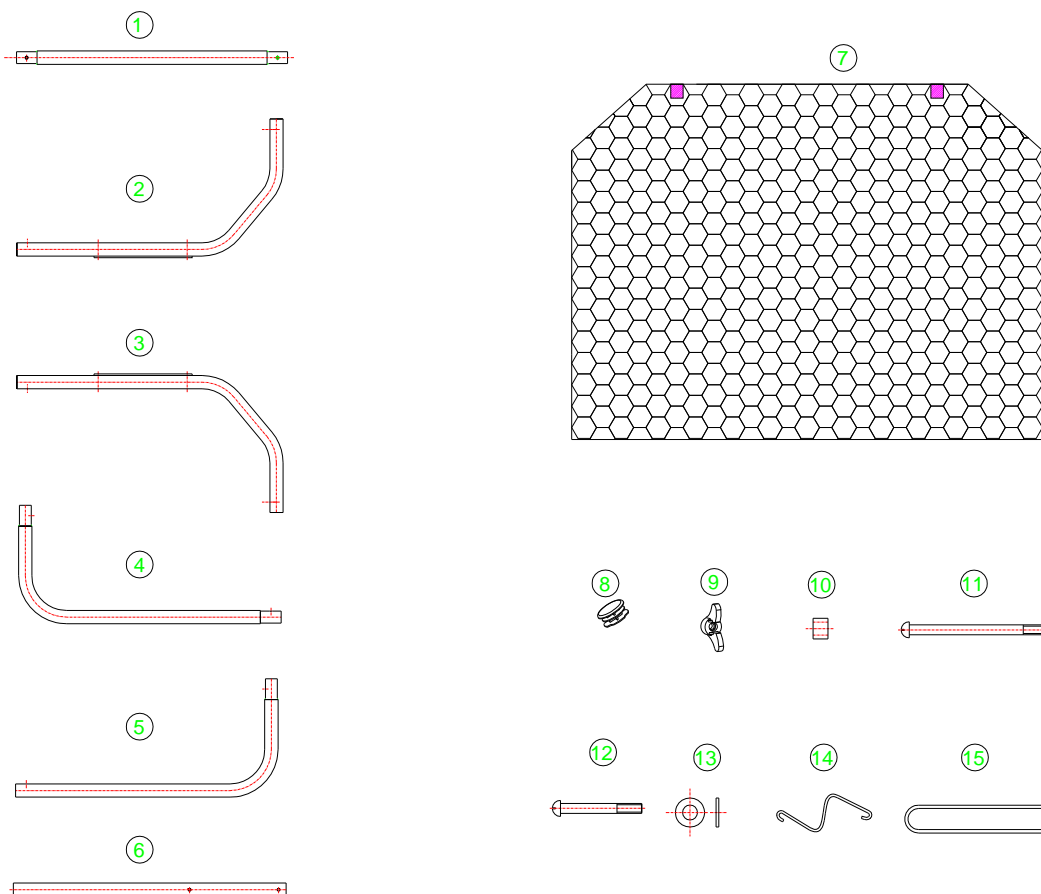
**CHOKING HAZARD--Small parts
Not for children under 3 yrs.**

- Unassembled parts may be a choking hazard for children 3 years and younger. Adult assembly is required.
- Children should not put arms, head or other body parts in holes in rebounder or net. Entrapment and/or strangulation can occur.
- Failure to follow the above mentioned Warnings may result in serious injury.

PACKAGING CONTENTS:

PART NO.	DESCRIPTION	4.3' x 2.3' x2.6'	
		SPEC/DIMENSIONS	QTY
1	STRAIGHT POLE	25.8"	1
2	L-SHAPED-POLE	25.4"	1
3	L-SHAPED-POLE	25.4"	1
4	L-SHAPED-POLE	25"	1
5	L-SHAPED-POLE	25"	1
6	STRAIGHT POLE	26"	1
7	SOCCER NET	--	1
8	END PLUG	--	4
9	BUTTERFLY NUT	--	4
10	PLASTIC BUSHING	--	2
11	BOLT M5*85(Long Bolt)	--	2
12	BOLT M5*50(Short Bolt)	-- <td>2</td>	2
13	WASHER M6	--	4
14	STEEL V-HOOK	--	22
15	STEEL GROUND STAKES	--	2

DIAGRAMS FOR PARTS:



PRIMED

Style Number: PRD00007

Soccer Rebounder

FRAME ASSEMBLY

Verify that all components are included before assembly. Assemble the frame as illustrated in **Figure 1**. Be careful to select the appropriately numbered tubes. Leave all nuts hand tightened at this stage of assembly.

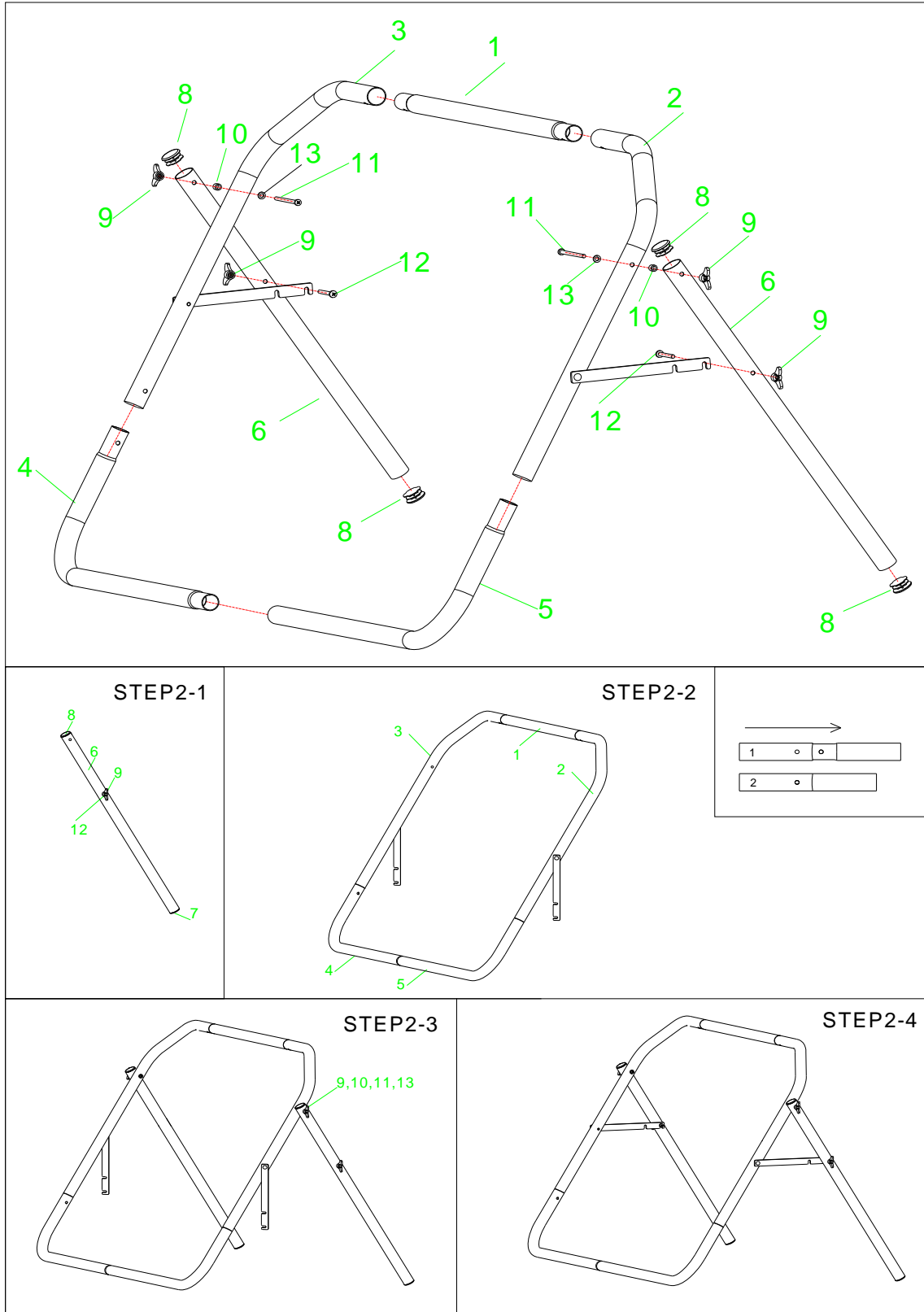


Figure 1. Frame Assemble Steps

Tighten all nuts and bolts once the frame is completed.

PRIMED

Style Number: PRD00007

Soccer Rebounder

NET ASSEMBLY

Assemble the net per below pictures and drawings. Make sure that you forward the method in below pictures to put on the V-Hooks.

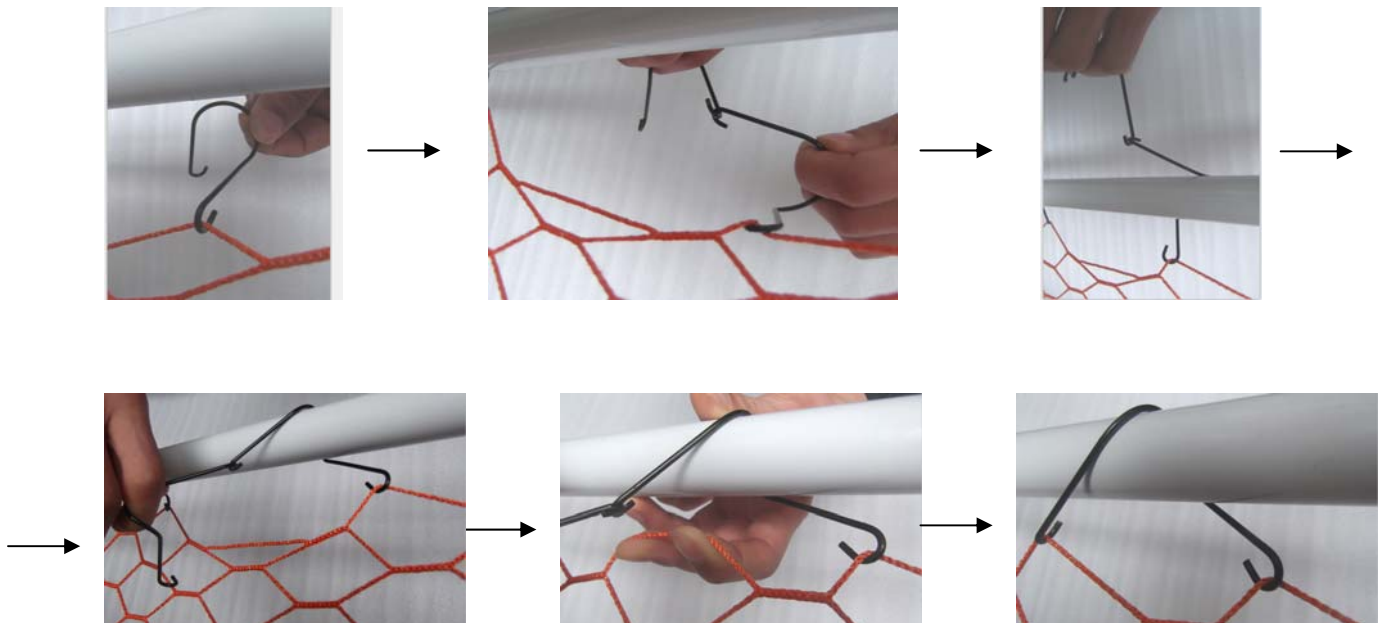
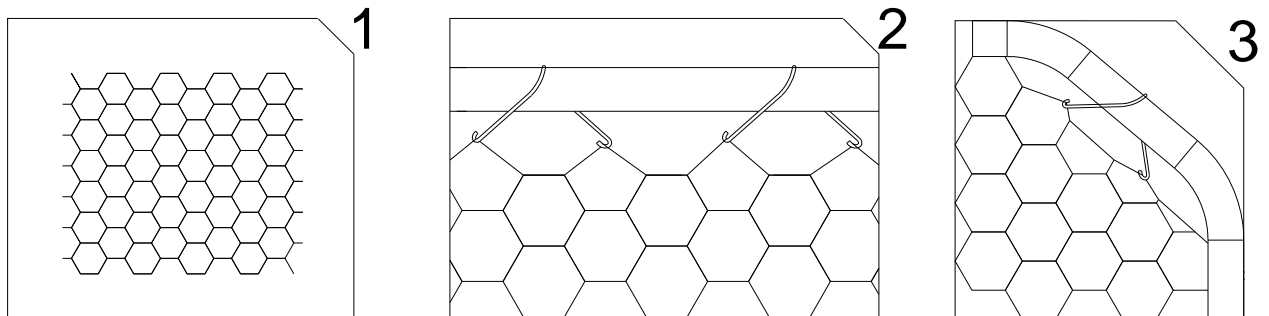


Figure 2. Net Assembly Steps

GROUND STAKE INTALLATION

Install the ground stakes per below drawing.

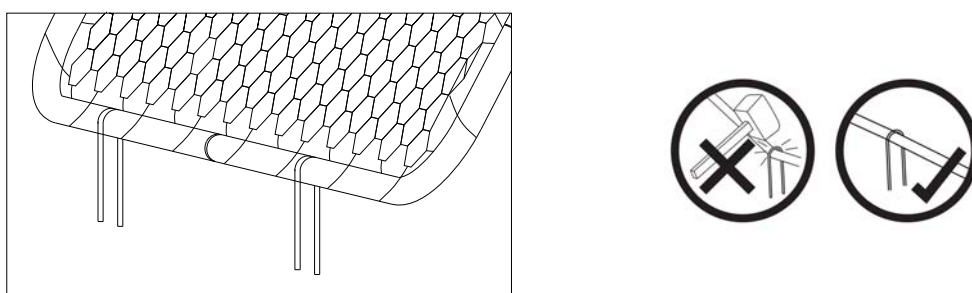


Figure 3. Ground Stake Installation

EVERY SEASON STARTS AT



Limited Warranty

Limited Warranty

Dick's Sporting Goods, Inc. (the "Company") warrants this product to be free from defects in workmanship and materials under normal use and conditions for a period of ONE YEAR FROM THE DATE OF ORIGINAL PURCHASE. This Limited Warranty is not transferable and is available only for the original purchaser of the Product. The Company's obligation under this warranty is limited to replacing or repairing the Product, at the discretion of the Company.

EXCEPT AS SPECIFICALLY SET FORTH IN THIS LIMITED WARRANTY, DICK'S SPORTING GOODS, INC. MAKES NO REPRESENTATIONS OR WARRANTIES OF ANY KIND, EXPRESS OR IMPLIED, INCLUDING BUT NOT LIMITED TO ANY IMPLIED WARRANTIES OF MERCHANTABILITY OR FITNESS FOR ANY PARTICULAR PURPOSE WITH RESPECT TO ANY PRODUCT.

Material Covered

Except as detailed below, this Limited Warranty covers defects in materials and workmanship. This Limited Warranty is void if the Product is:

- Damaged through improper use, negligence, abuse, misuse, transportation, damage, acts of nature, or accident, to include failure to follow the assembly and or operating instructions supplied with the product.
- Used in commercial or rental applications.
- Modified or repaired by anyone not authorized by the Company.

Material Not Covered

This Limited Warranty does not cover expendable items including but not limited to: Batteries, light bulbs, fuses, accessories, and other items that experience wear as a result of normal use.

Terms of Coverage

If during the one year LIMITED WARRANTY period, the Company deems any part or component of the Product to be defective, the Company will repair the Product without charge, or at the option of the Company, will replace the Product with new product, either the same or an equivalent item.

The Company's liability is limited to the repair or replacement, at its option of any defective product.

THE COMPANY ASSUMES NO RESPONSIBILITY NOR LIABILITY FOR INDIRECT OR CONSEQUENTIAL DAMAGES OF ANY KIND.

THIS LIMITED WARRANTY IS MADE IN LIEU OF ANY AND ALL OTHER WARRANTIES, EXPRESS OR IMPLIED, EXCEPT AS OTHERWISE PROVIDED BY APPLICABLE LAW.

Please direct all Product inquiries to:

Dick's Sporting Goods, Inc.
345 Court Street
Coraopolis, PA 15108
Customer Service
1 866 677 4771
customer.service@dcs.com