



WARNING

To avoid injury during assembly, disassembly, use, adjustment and/or movement of the PRIMED Junior Varsity Trainer, the following warnings **MUST** be observed at all time:

- Two adults should set up the trainer to safely manage net loops that are under tension. Children must never assemble, disassemble, or adjust the trainer.
- When in use net loops will be under extreme tension and must be attached and/or detached according to the instructions. Failure to use this product as intended may result in injury.
- **ALWAYS hold the upper frame assembly at the green label when removing plug pins for adjusting trainer angle or disassembling.** The weight and tension on the net can cause upper frame assembly to snap down.
- **Keep fingers away from the hinge area of the adjustment brackets.** Fingers can get pinched or crushed between frame and bracket.
- **To prevent inadvertent removal of plug pins, ALWAYS lock the plug pins with the hooks after adjusting the frame to the desired angle.**
- **ALWAYS anchor the trainer.** An unsecured pitchback can fall over causing serious injury.
- Pull the plug pins out using the ring during angle adjustment or disassembly. Do not pull on the lanyard.

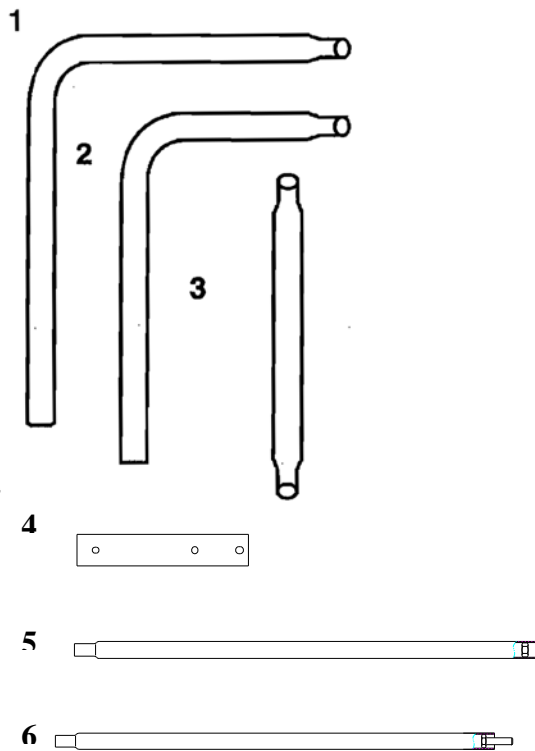
- Never climb on the trainer

PACKAGE CONTENTS

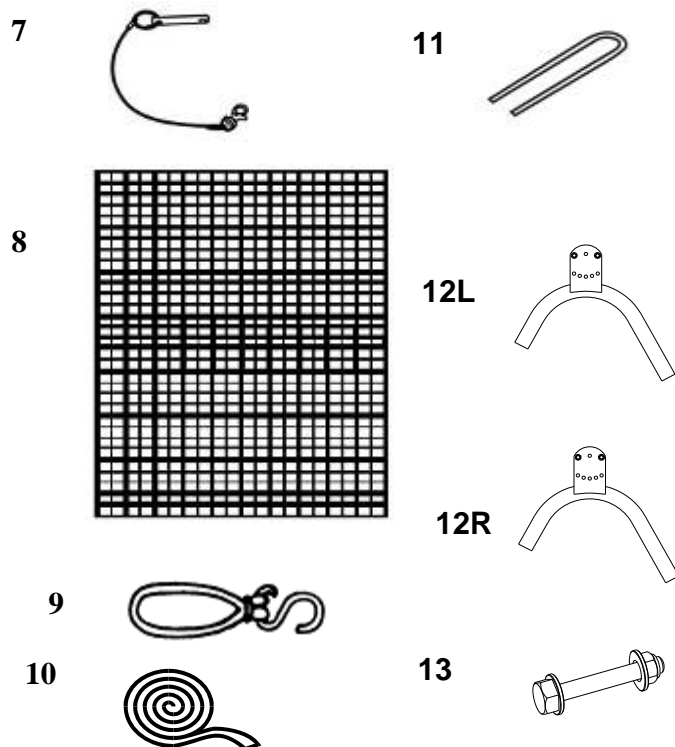
PART NO.	DESCRIPTION		
		SPEC.	Q' TY
1	L-shaped pole	38 3/16"	4
2	L-shaped pole	34 7/16"	2
3	I-shaped pole	28 3/4"	3
4	I-shaped pole	9"	2
5	Threaded center pole - Female	25"	1
6	Threaded center pole - Male	25"	1
7	Plug pins (with lanyard and hook assembly)	-	2
8	Net	-	1
9	Net loops	-	36
10	Target ribbon	-	1
11	Steel ground stakes	9"	4
12L	Y-adjustment bracket	-	1
12R	Y-adjustment bracket	-	1
13	Hex bolt	M8x 1.95"	6

DIAGRAMS OF PARTS

POLES:



OTHERS:



ASSEMBLING THE JUNIOR VARSITY TRAINER

⚠ WARNING Two adults should set up the pitchback to safely Manage net loops that are under tension, **Children under 12 must NEVER assemble. Disassemble or adjust the pitchback.**

NOTICE: During assembly be sure that all snap buttons are secure, as shown in Figure A.

Figure A



Figure B



Figure C

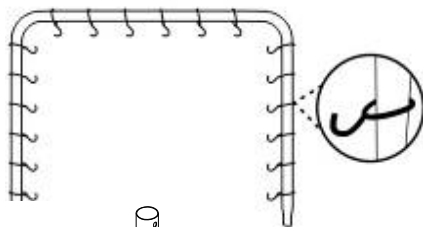


Figure D

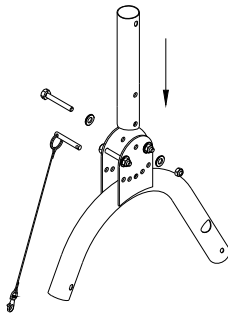


Figure E

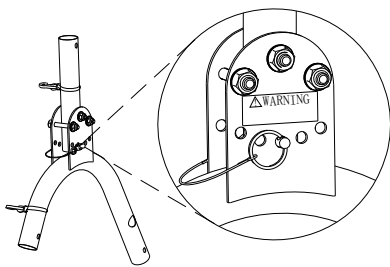
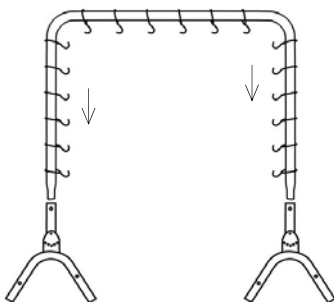


Figure F



1) Connect pole 3 and both poles 1 to form a U-shaped frame component, as shown in Figure B. Repeat this step for the second set of poles 1 and 3. These U-shaped frame components make the top and bottom part of the front side of frame assembly.

2) Place six pieces of net loops, spread evenly, onto each side of the U-shaped frame components (top and bottom parts for the front side of frame assembly), as shown in Figure C.

3) Place the I shaped pole, part number 4, in between the bracket on the Y adjustment bracket, part number 12L/12R. Insert a hex bolt, part number 13, through the top center hole of the bracket and the center hole in the I shaped pole. Thread washer and nut on bolt and tighten.

4) Align and hold the adjustable tube of the Y-shaped adjustment bracket to the center position, as shown in Figure E. Insert the plug pin (with lanyard and hook assembly) through the center hole on the adjustment bracket. Open the hook and insert through the hole in the pin to lock the pin in place.

⚠ WARNING Always lock the plug pin with the hook to avoid inadvertent removal of pin.

5) Repeat step 3 and 4 for the other Y-shaped adjustment bracket.

6) Connect the Y-shaped adjustment brackets to the end of the top U-shaped frame component, as shown in Figure F.

Style Number: PRD00102 PRIMED JUNIOR VARSITY TRAINER

Figure G

Figure G



Figure H

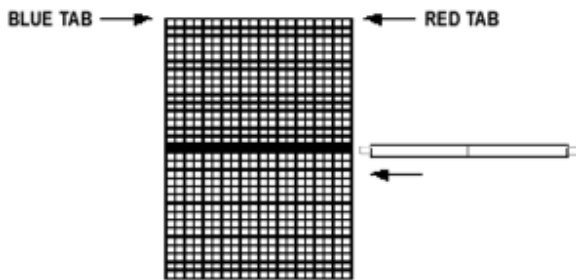


Figure I

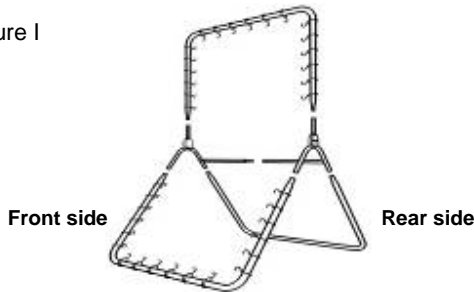


Figure J

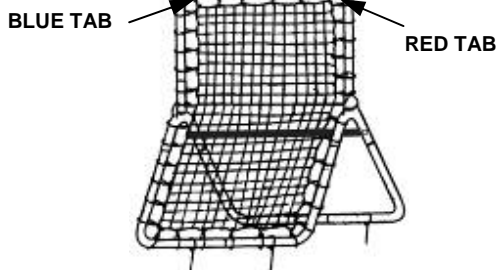


Figure K

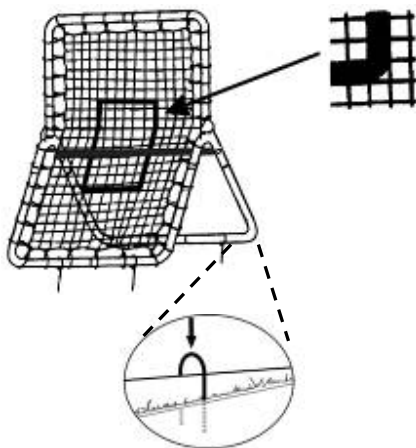
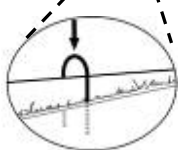


Figure L



7) Connect poles 2 and pole 3 to form the bottom part of rear frame.

8) Screw pole 6 into 5, as shown in Figure G, to form the center pole assembly.

9) Spread the net on the floor. Slide the center pole assembly into the net sleeve (located on the middle rear portion of the net), as shown in Figure H.

NOTICE: Two people are required to complete the following steps

10) Connect the assembled center pole to the Y-adjustment bracket holes, as shown in Figure I. The center pole should be on the rear side of the assembly. The blue tarpaulin sleeve should face the rear of the pitchback.

11) Connect the U-frame assembly from step 7 to the rear side of the bracket, as shown in Figure I. The rear side is the side where the center pole was connected.

12) Connect the remaining U-frame assembly with bungee cord net loops onto the front side of the bracket, as shown in Figure I.

⚠ WARNING Net loops are under tension.

13) Spread and stretch the net around the frame by using the attached net loops, as shown in Figure J.

14) Attach target ribbon to the net by weaving through the netting. Target ribbon should be positioned in the center of the net and should be 18 net squares high by 12 net squares wide.

15) Position frame as required and fix it to ground using steel ground stakes, as shown in Figure L.

⚠ WARNING Always anchor the Trainer. An unsecured trainer can fall over causing serious injury.

⚠ WARNING

Carefully follow instructions below to Avoid laceration or crushing injuries.

- 1) Keep hands away from hinge area,
 - 2) Unhook the plug pin that is used to adjust the trainer angle. Hold the upper frame at the green label with one hand, as shown in Figure M. Pull the plug pin out
 - 3) Repeat steps 1 and 2 for the other bracket.
 - 4) Move the top frame to desired angle and re-insert the pin completely through the appropriate hole on the Y-adjustment bracket.
 - 5) Open the hook and insert through the hole on the other end of pin, to lock the pin in place, as shown in Figure N.
- Always keep pins locked when using the trainer.**
- 6) Repeat steps 4 and 5 for the other adjustment bracket.
 - 7) **TO DISASSEMBLE OR STOW:** Repeat steps 1-3 and bring the top frame down slowly before disassembling the unit.

⚠ WARNING

Children under 12 must NEVER disassemble or adjust the trainer.

Figure M

Hold here



Figure N





Limited Warranty

Limited Warranty

Dick's Sporting Goods, Inc. (the "Company") warrants this product to be free from defects in workmanship and materials under normal use and conditions for a period of ONE YEAR FROM THE DATE OF ORIGINAL PURCHASE. This Limited Warranty is not transferable and is available only for the original purchaser of the Product. The Company's obligation under this warranty is limited to replacing or repairing the Product, at the discretion of the Company.

EXCEPT AS SPECIFICALLY SET FORTH IN THIS LIMITED WARRANTY, DICK'S SPORTING GOODS, INC. MAKES NO REPRESENTATIONS OR WARRANTIES OF ANY KIND, EXPRESS OR IMPLIED, INCLUDING BUT NOT LIMITED TO ANY IMPLIED WARRANTIES OF MERCHANTABILITY OR FITNESS FOR ANY PARTICULAR PURPOSE WITH RESPECT TO ANY PRODUCT.

Material Covered

Except as detailed below, this Limited Warranty covers defects in materials and workmanship. This Limited Warranty is void if the Product is:

- ° Damaged through improper use, negligence, abuse, misuse, transportation, damage, acts of nature, or accident, to include failure to follow the assembly and or operating instructions supplied with the product.
- ° Used in commercial or rental applications.
- ° Modified or repaired by anyone not authorized by the Company.

Material Not Covered

This Limited Warranty does not cover expendable items including but not limited to: Batteries, light bulbs, fuses, accessories, and other items that experience wear as a result of normal use.

Terms of Coverage

If during the one year LIMITED WARRANTY period, the Company deems any part or component of the Product to be defective, the Company will repair the Product without charge, or at the option of the Company, will replace the Product with new product, either the same or an equivalent item.

The Company's liability is limited to the repair or replacement, at its option of any defective product.

THE COMPANY ASSUMES NO RESPONSIBILITY NOR LIABILITY FOR INDIRECT OR CONSEQUENTIAL DAMAGES OF ANY KIND.

THIS LIMITED WARRANTY IS MADE IN LIEU OF ANY AND ALL OTHER WARRANTIES, EXPRESS OR IMPLIED, EXCEPT AS OTHERWISE PROVIDED BY APPLICABLE LAW.

Please direct all Product inquiries to:

Dick's Sporting Goods, Inc.
345 Court Street
Coraopolis, PA 15108
Customer Service
1 866 677 4771
customer.service@dcs.com