

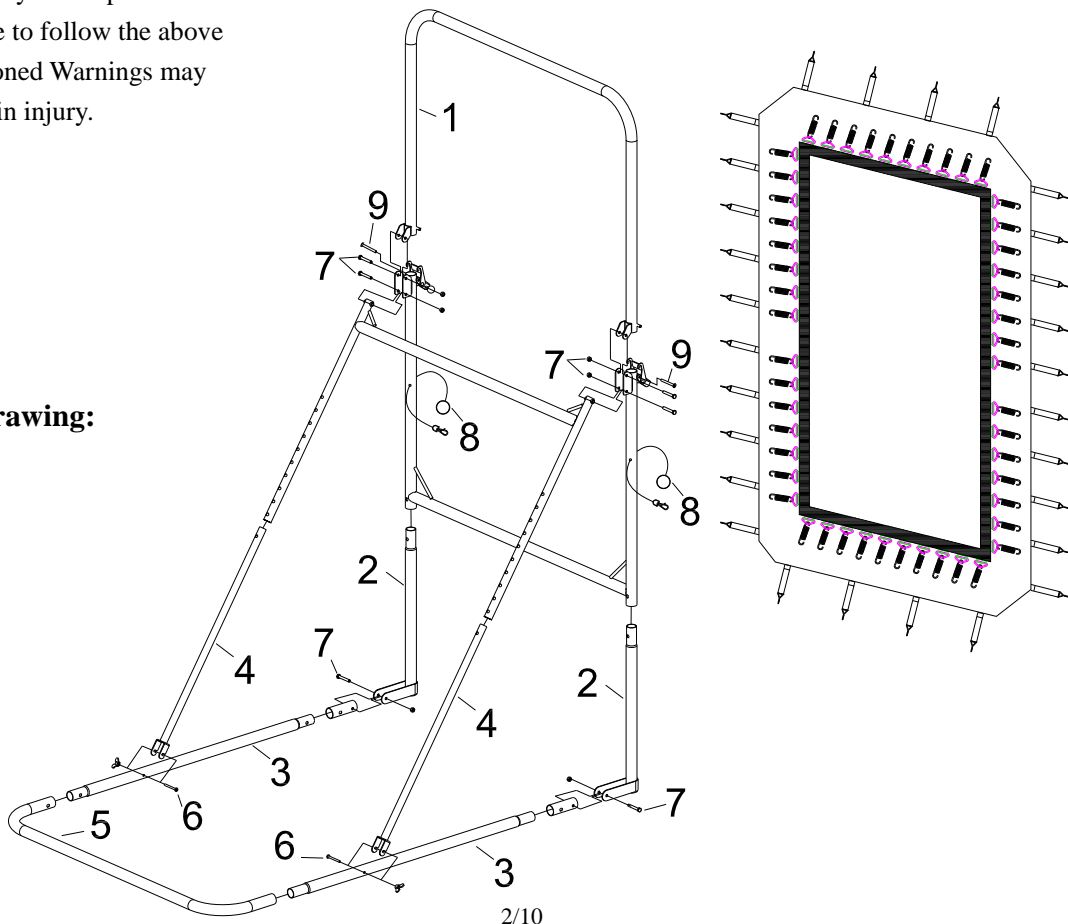




To avoid injury during assembly, disassembly, use, adjustment and/or movement of the PRIMED Lacrosse Pro Rebounder, the following warnings MUST be observed at all times:

- Two competent adults are required to assemble, disassemble, adjust, and/or locate the LAXPRO Rebounder.
  - Extreme caution and appropriate judgment should ALWAYS be exercised when assembling, disassembling, using, adjusting, or locating the LAXPRO Rebounder.
  - NEVER climb on or hang from the LAXPRO Rebounder.
  - ALWAYS anchor the LAXPRO Rebounder as instructed prior to use. An unsecured rebounder can cause serious injury.
  - Metal springs will be under tension and must be attached and/or detached carefully.
  - The LAXPRO Rebounder should be placed on a flat surface that is suitable for play while ensuring maximum user safety.
  - Remove and properly store when rebounder is not in use.
  - Fully disassemble the LAXPRO Rebounder for seasonal storage.
  - Do not leave the LAXPRO Rebounder outdoors in inclement weather as moisture and other elements may adversely affect the performance of the unit.
  - Ensure all components are properly assembled prior to use.
  - Examine your LAXPRO Rebounder regularly for wear and tear. Discontinue use immediately if any defect is found.
- 
- Keep away from fire and heat sources.
  - **CHOKING HAZARD!** Unassembled parts may be a choking hazard for children 3 years and younger. Adult assembly and supervision is required.
  - Failure to follow the above mentioned Warnings may result in injury.

Exploded Drawing:



**Packaging Contents:**

PART NO	DESCRIPTION	4' x4.9' x 7.5'	
		SPEC/DIMENSIONS	QTY
1	Mainframe	48*35.4"	1
2	Folding Section Frame	24.4"	2
3	Side Base Frame	43.3"	2
4	Lower Side Support Frame	34.5"	2
5	Base "U" Frame	48*10.5"	1
6	Butterfly Nut/Bolt Set M6*60	--	2
7	Nut/Bolt Set M8*55	--	6 (Pre-assembled)
8	Locking Cable	--	2
9	Flat Head Bolt(M6*50)	--	2 (Pre-assembled)

**DIAGRAMS FOR PARTS**



**5**

1



2



3



4



6



7



8



9

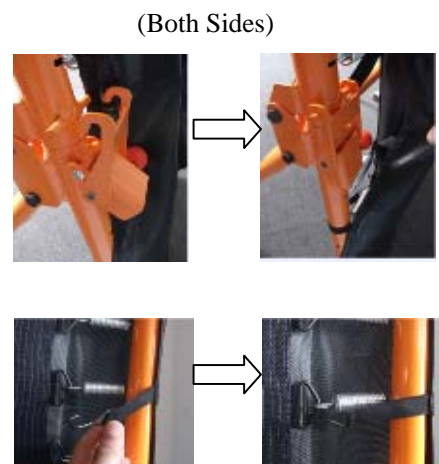
Please note that this unit is most pre-assembled out of the factory.

**Assembly Instructions**

1. Layout the unit and make sure the mesh surface surround is folded inwards and free of springs when in the folded position per below picture. The surface surround needs to be folded inward to enable the mainframe to unfold easily.



2. Open the frame per below pictures.



3. Snap on both frame locking brackets and connect the straps from mesh surface surround per above pictures.
4. Attach the two Folding Section Frames (#2) on to the main frame (#1) per below pictures.



5. Attach the Lower two Side Base Frames (#3) and Side to the main frame (1) per below pictures.



6. Attach the two Side Base Frames (#3) to two Folding Section Frames (#2) on the main frame (1), per below pictures, using two Nut/Bolt Sets (#7).



7. Attach the Base “U” Frame (#5) to two Side Base Frames (#3) on the Mainframe (#1) per below pictures.

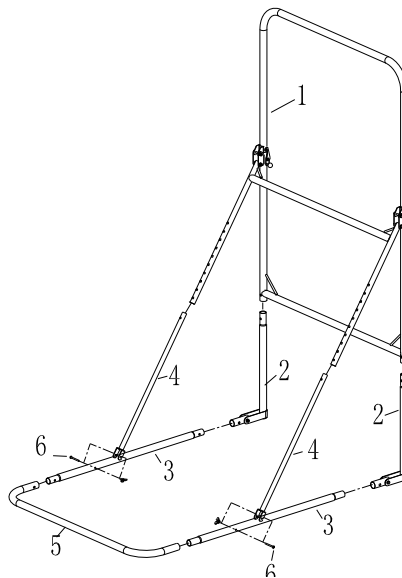


8. Attached the Two Lower Side Support Frames (#4) to the two Side Base Frames (#3), per below pictures, using two Nut/Bolt Sets (#7).



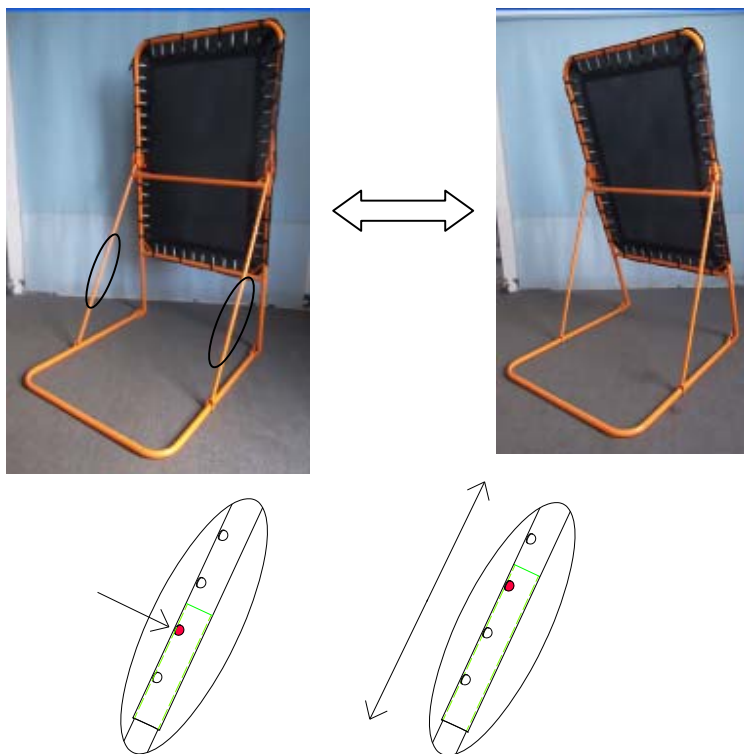


9. Place the unit upright per below pictures and make sure that frame locking brackets are locked into place and all nuts and bolts are tightened properly.



**ANGLE ADJUSTMENT**

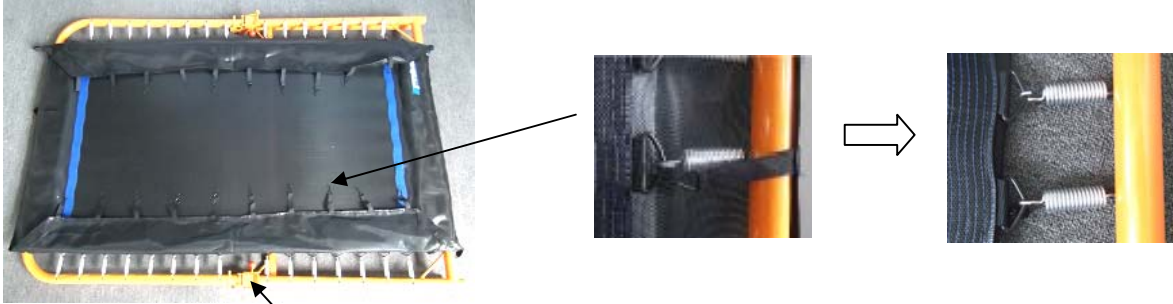
The angle of this rebounder can be adjusted per below pictures. Press down both pop pins on both sides and adjust the frame to the desired angle.



FOLDING

This unit can be easily folded and stored per following steps and below pictures and diagrams

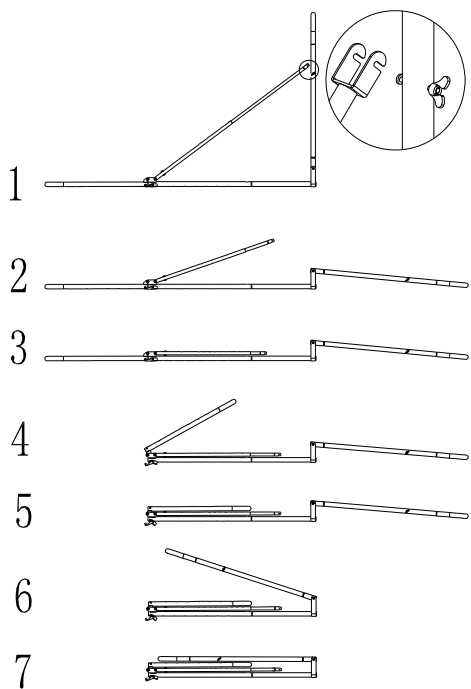
1. Remove the straps from the rebounder mesh surround surface.
2. Loosen the Butterfly Nut/Bolt sets on both sides of the Mainframe (diagram image #1 below) uprights and remove Upper Side Support Frames from the Mainframes (diagram image #1 below) per below pictures and drawings. Make the sure the rebounder mesh surround surface is folded inward to make the frame folding easier.



3. Unsnap both frame locking brackets per below pictures.



4. Lay out the Mainframe, make sure the mat is underneath of the Mainframe, and fold the unit per below pictures and diagrams.





- 5. Make sure the Locking Cable is strapped properly (see below pictures).





### Limited Warranty

#### **Limited Warranty**

Dick's Sporting Goods, Inc. (the "Company") warrants this product to be free from defects in workmanship and materials under normal use and conditions for a period of ONE YEAR FROM THE DATE OF ORIGINAL PURCHASE. This Limited Warranty is not transferable and is available only for the original purchaser of the Product. The Company's obligation under this warranty is limited to replacing or repairing the Product, at the discretion of the Company.

EXCEPT AS SPECIFICALLY SET FORTH IN THIS LIMITED WARRANTY, DICK'S SPORTING GOODS, INC. MAKES NO REPRESENTATIONS OR WARRANTIES OF ANY KIND, EXPRESS OR IMPLIED, INCLUDING BUT NOT LIMITED TO ANY IMPLIED WARRANTIES OF MERCHANTABILITY OR FITNESS FOR ANY PARTICULAR PURPOSE WITH RESPECT TO ANY PRODUCT.

#### **Material Covered**

Except as detailed below, this Limited Warranty covers defects in materials and workmanship. This Limited Warranty is void if the Product is:

- Damaged through improper use, negligence, abuse, misuse, transportation, damage, acts of nature, or accident, to include failure to follow the assembly and or operating instructions supplied with the product.
- Used in commercial or rental applications.
- Modified or repaired by anyone not authorized by the Company.

#### **Material Not Covered**

This Limited Warranty does not cover expendable items including but not limited to: Batteries, light bulbs, fuses, accessories, and other items that experience wear as a result of normal use.

#### **Terms of Coverage**

If during the one year LIMITED WARRANTY period, the Company deems any part or component of the Product to be defective, the Company will repair the Product without charge, or at the option of the Company, will replace the Product with new product, either the same or an equivalent item.

The Company's liability is limited to the repair or replacement, at its option of any defective product.

**THE COMPANY ASSUMES NO RESPONSIBILITY NOR LIABILITY FOR INDIRECT OR CONSEQUENTIAL DAMAGES OF ANY KIND. THIS LIMITED WARRANTY IS MADE IN LIEU OF ANY AND ALL OTHER WARRANTIES, EXPRESS OR IMPLIED, EXCEPT AS OTHERWISE PROVIDED BY APPLICABLE LAW.**

Please direct all Product inquiries to:

Dick's Sporting Goods, Inc.  
345 Court Street  
Coraopolis, PA 15108  
Customer Service  
1 866 677 4771  
customer.service@dcs.com