



WARNING !

To avoid injury during assembly and disassembly, observe the following WARNINGS:

- Parts can be sharp and cut or pinch your hands during assembly; gloves can help prevent injury.
- Two competent adults are required to assemble, disassemble, adjust, and/or locate the goal.
- **CHOKING HAZARD!** Keep small parts, such as nuts and bolts, away from children to avoid a choking hazard. Adult assembly and supervision is required.
- Complete all assembly steps in the order presented before use.

To avoid injury during use, adjustment, and placement, observe the following WARNINGS:

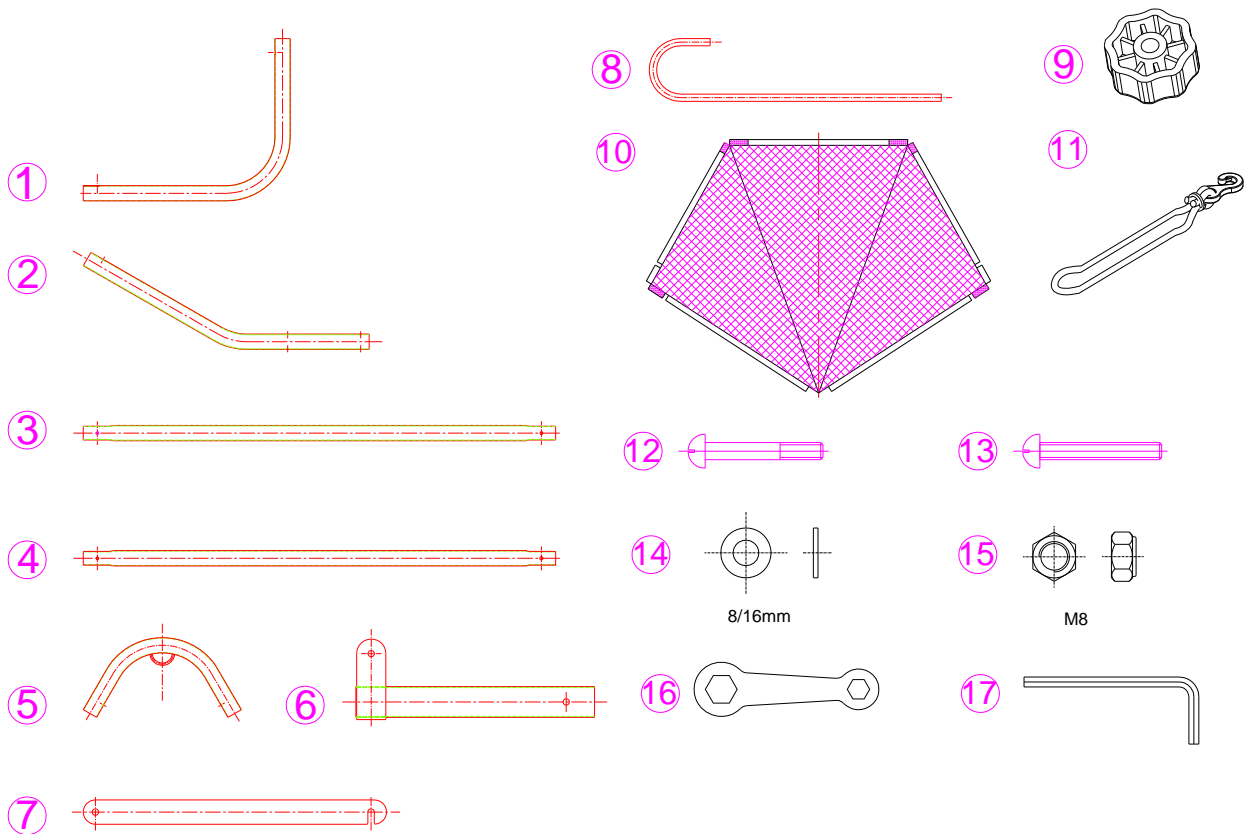
- Always drive anchor pegs (J-hooks) completely into the ground to avoid serious injury.
- Never leave goal unattended on the field. Unsupervised children can be injured.
- Do not use in high wind. Goal can come loose and hit players.
- Sand bags can be used to anchor goal on hard surfaces only if secured completely around the perimeter.
- Keep the net loose to prevent rebound and to capture the ball.
- Climbing or hanging on the net can cause goal to fall resulting in serious injury.
- Never leave goal unattended on the field. Unsupervised children can be seriously injured.
- Don't leave goal outdoors when not in use; ultraviolet rays, inclement weather, and moisture can damage to goal.
- Do not use during high winds. If anchor releases, a flying hook or goal can cause serious injury.
- Goal can fall and cause serious injury if not completely secured with all 4 J-hooks. Anchors that are not fully and completely driven into the ground on a flat surface can cause players to trip and result in serious injury.
- Examine the goal regularly for wear and tear. Discontinue use immediately if any defect is found.
- Keep away from fire and heat sources.
- Best used on outdoor grass turf. If used indoors or on any hard surface, use sand bags around the entire perimeter of goal for stability; keep the net loose to prevent rebound and to capture the ball.
- **CHOKING HAZARD!** Keep small parts, such as nuts and bolts, away from children to avoid a choking hazard. Adult assembly and supervision is required.
- Failure to follow the above Warnings may result in injury.

PACKAGE CONTENTS:

PART NO.	DESCRIPTION	6' x 6' x 6'	
		SPEC/DIMENSION	QTY
1	L-Shape Pole	32 ¹ / ₈ "	2
2	Bend Pole	29 ¹ / ₂ "	2
3	Straight Pole	45 ⁷ / ₈ "	3
4	Straight Pole	45 ⁷ / ₈ "	2
5	V-Shape Pole	20 ⁹ / ₁₆ "	1
6	Lower Pole	23 ³ / ₁₆ "	2
7	Connecting Plate	29 ⁷ / ₁₆ "	2
8	Ground J-Hook	---	4
9	Plastic Knob Nut M8	---	2
10	Net	---	1
11	Bungee Cord	---	1
12	Bolt M8*55 (Short Bolt)	--	2
13	Bolt M8*60 (Long Bolt)	---	4
14	Washer M8	--	12
15	Hex Nut M8	--	4
16	Allen Wrench	---	1
17	Wrench	---	1

DIAGRAMS FOR PARTS

FRAME ASSEMBLY



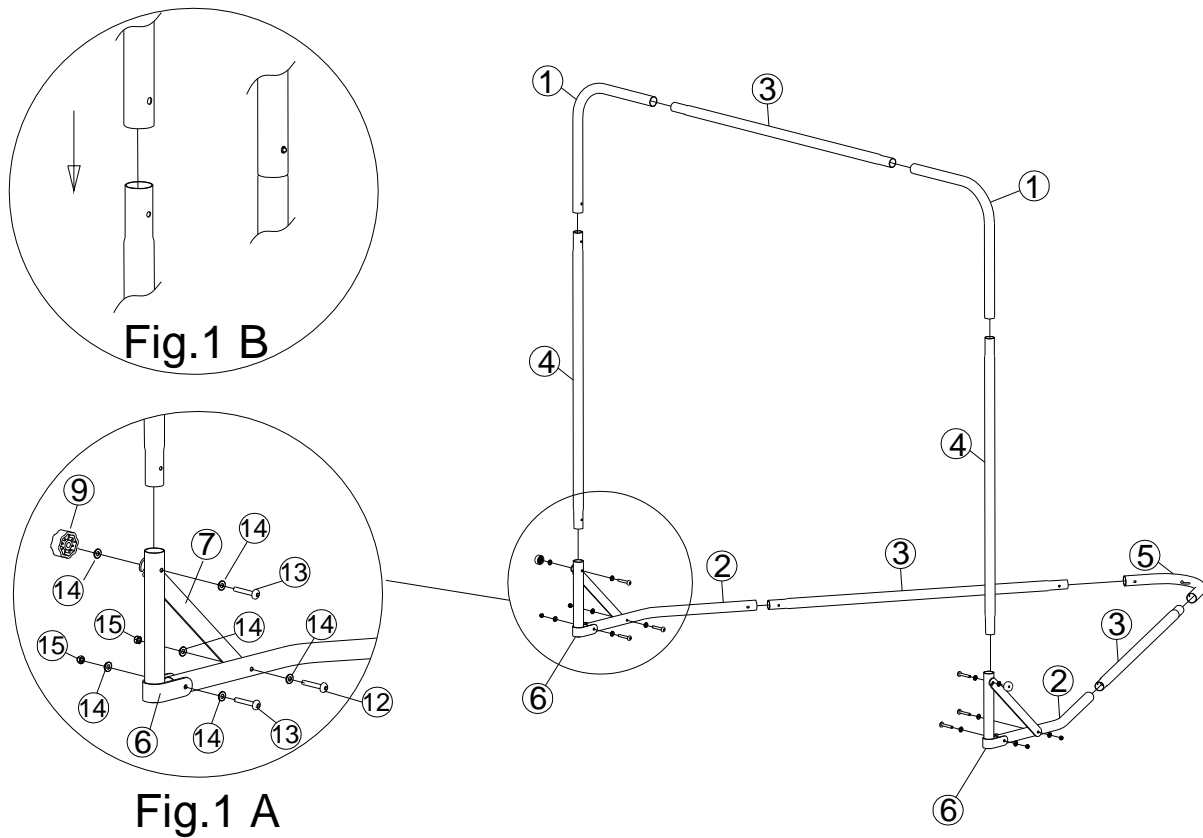


Figure 1. Frame Assembly

Assemble frame as shown in **Figure 1 in the order shown below**. During assembly, be sure that all snap buttons are secure as seen in **Figure 1B** To start, please leave all hardware in a hand tightened position until the frame is complete. Once the Goal is fully constructed go back and secure all hardware.

1. Connect left and right Part #3 to Part #2 and layout the net, Part #10, per below picture.



2. Put Part #2 and #3 through the net sleeves per below picture.



3. Connect put Part #5 through the back sleeve of the net and connect Part # 5 between two Part #3's, per below pictures.



4. Connect the bungee cord, Part # 11, to Part #5 per below pictures.



5. Layout parts per below picture.



- 6. Connect left side Part #6 to Part #2 using one bolt (Part #13), two washers (Part #14), and one nut (Part #15).
- 7. Connect left side Part #7 to Part #2 using one bolts (Part #12), two washers (Part #14), and one nuts (Part #15).
- 8. Repeat steps 6 and 7 for the right side.
- 9. Layout parts and put Part #4's through the left and right sleeves of the net per below pictures.



10. Put Part #3 through the top sleeve of the net and connect Part #1 between Part #3 and Part #4 per below pictures.

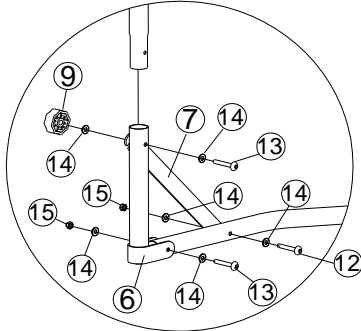


11. Zip cover Part #1's



12. Connect Part #4 to Part #6 for both sides.

13. Connect Part #7 to Part #6 using one bolt (Part #13), two washers (Part #14), and one Plastic Knob Nut (Part #9) per below pictures. Tighten part 9 and check tightness frequently during use to prevent collapsing.



14. Check the assembly against illustrations and tighten all nuts and bolts securely.

15. Place the four ground J-Hooks (part #8) per figure 3.

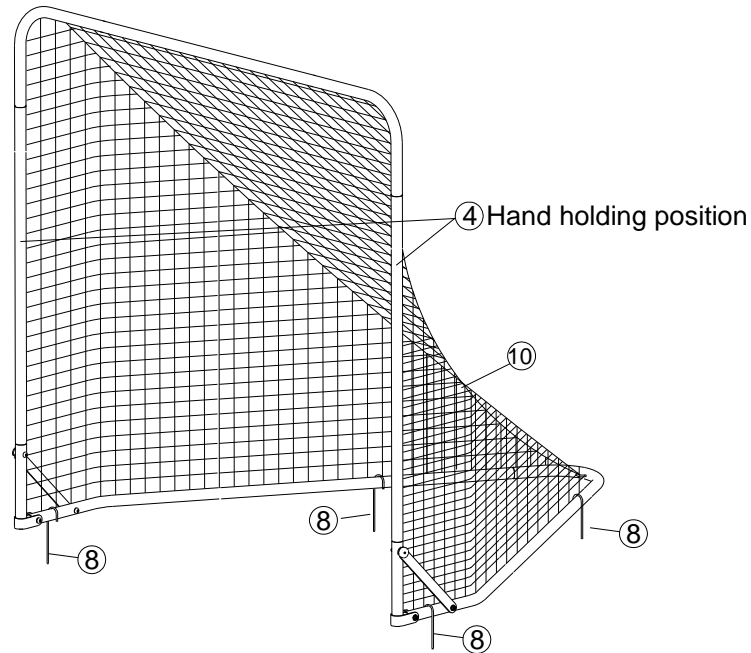
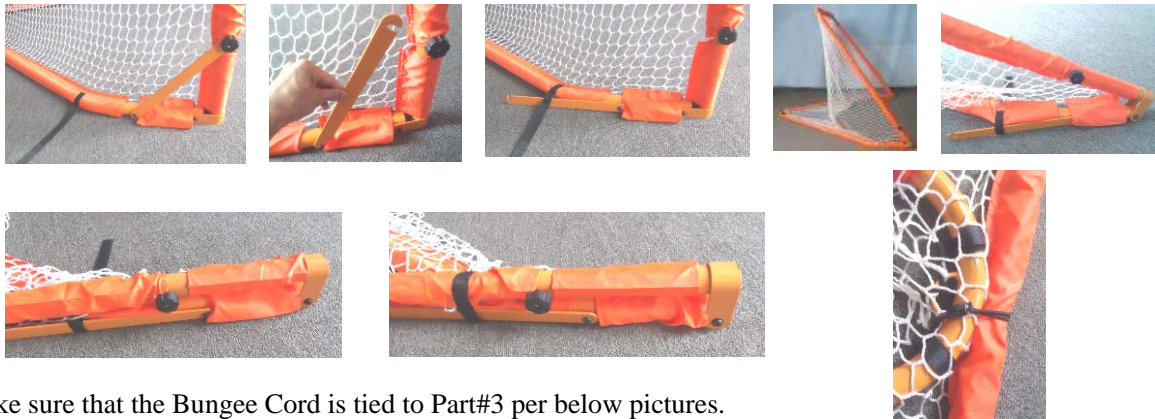


Figure 3. Ground J-Hook positions

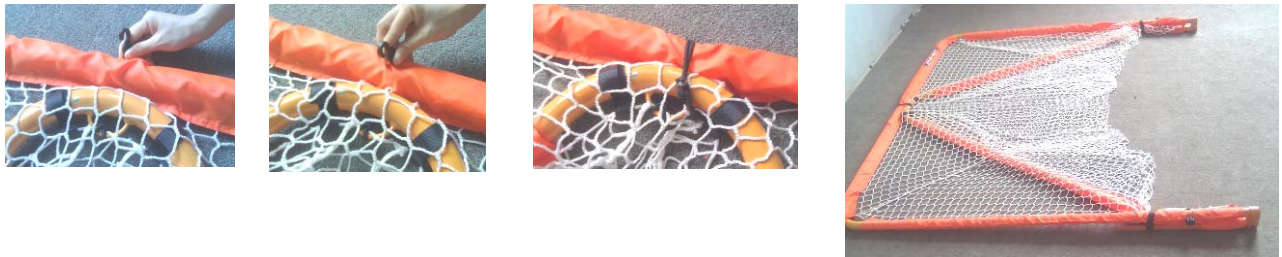
Folding and Storage

Please note that this item is easy to fold for storage. The following are the folding and storage points.

1. Position one hand on upright frame Part #4 to prevent unit from collapsing. Un-tighten Plastic Knob Nut (Part #9), remove Part #7 from Part #6, and loop & hook Part #7 to Part #2, per below pictures. Re-tighten Part #9 to secure. Please refer to **Fig. 1**.
2. Repeat on other side.



3. Make sure that the Bungee Cord is tied to Part#3 per below pictures.





Limited Warranty

Limited Warranty

Dick's Sporting Goods, Inc. (the "Company") warrants this product to be free from defects in workmanship and materials under normal use and conditions for a period of **ONE YEAR FROM THE DATE OF ORIGINAL PURCHASE**. This Limited Warranty is not transferable and is available only for the original purchaser of the Product. The Company's obligation under this warranty is limited to replacing or repairing the Product, at the discretion of the Company.

EXCEPT AS SPECIFICALLY SET FORTH IN THIS LIMITED WARRANTY, DICK'S SPORTING GOODS, INC. MAKES NO REPRESENTATIONS OR WARRANTIES OF ANY KIND, EXPRESS OR IMPLIED, INCLUDING BUT NOT LIMITED TO ANY IMPLIED WARRANTIES OF MERCHANTABILITY OR FITNESS FOR ANY PARTICULAR PURPOSE WITH RESPECT TO ANY PRODUCT.

Material Covered

Except as detailed below, this Limited Warranty covers defects in materials and workmanship. This Limited Warranty is void if the Product is:

- Damaged through improper use, negligence, abuse, misuse, transportation, damage, acts of nature, or accident, to include failure to follow the assembly and or operating instructions supplied with the product.
- Used in commercial or rental applications.
- Modified or repaired by anyone not authorized by the Company.

Material Not Covered

This Limited Warranty does not cover expendable items including but not limited to: Batteries, light bulbs, fuses, accessories, and other items that experience wear as a result of normal use.

Terms of Coverage

If during the one year LIMITED WARRANTY period, the Company deems any part or component of the Product to be defective, the Company will repair the Product without charge, or at the option of the Company, will replace the Product with new product, either the same or an equivalent item.

The Company's liability is limited to the repair or replacement, at its option of any defective product.

THE COMPANY ASSUMES NO RESPONSIBILITY NOR LIABILITY FOR INDIRECT OR CONSEQUENTIAL DAMAGES OF ANY KIND. THIS LIMITED WARRANTY IS MADE IN LIEU OF ANY AND ALL OTHER WARRANTIES, EXPRESS OR IMPLIED, EXCEPT AS OTHERWISE PROVIDED BY APPLICABLE LAW.

Please direct all Product inquiries to:

Dick's Sporting Goods, Inc.
345 Court Street
Coraopolis, PA 15108
Customer Service
1 866 677 4771
customer.service@dcsg.com