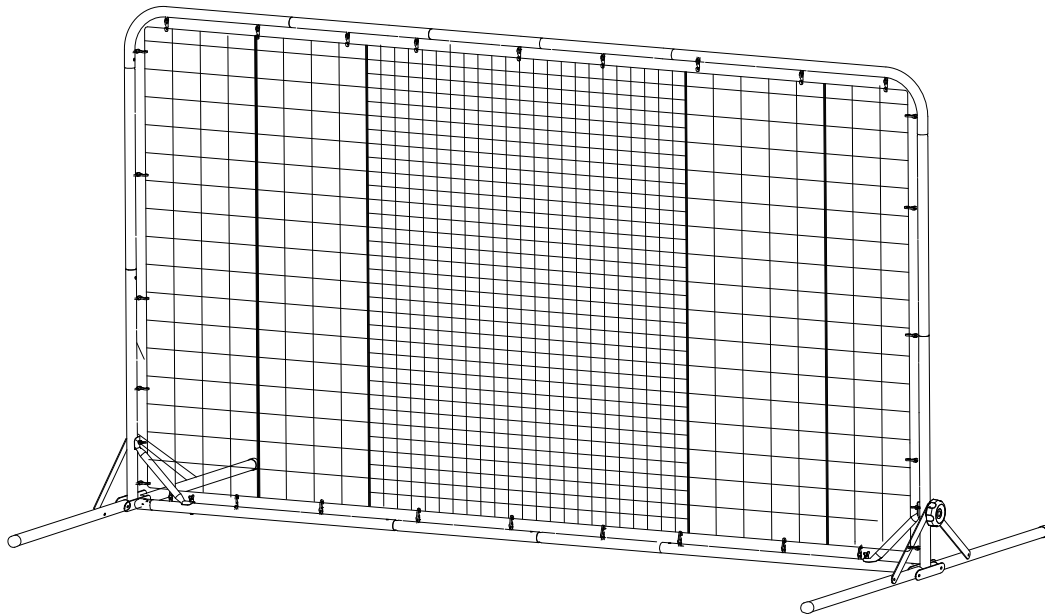


# PRIMED

Style Number: PRD00402 12X6 SOCCER REBOUNDER



**To avoid injury during assembly, disassembly, use, adjustment and/or movement of the PRIMED Soccer Rebounder, the following warnings MUST be observed at all times:**

- Adult assembly (2 adults) required for assembly, disassembly, adjusting and moving the soccer rebounder.
- Adult supervision during use is recommended.
- Extreme caution should ALWAYS be exercised when assembling, disassembling, using, adjusting, moving or locating the PRIMED Soccer Rebounder. Children under the age of 12 should not move rebounder or handle steel ground stakes.
- WARNING: NEVER climb on or hang from the PRIMED Soccer Rebounder.
- An adult should ALWAYS anchor the PRIMED Soccer Rebounder as instructed prior to use. An unsecured rebounder can cause serious injury.
- Bungee cord net loops are under tension during assembly, use and disassembly. They must be attached and/or detached carefully.
- The PRIMED Soccer Rebounder should be placed on a flat surface that is suitable for play while ensuring maximum user safety. Placing on uneven or sloped surfaces can lead to injury.
- Do not leave the PRIMED Soccer Rebounder outdoors in inclement weather as moisture and other elements may adversely affect the performance of the unit. Do not use in severe winds.
- To extend the life of the product, unit should be stored indoors when not in use. Rebounder Net should be removed during extended storage.
- Ensure all components are properly assembled prior to use. Examine your PRIMED Soccer Rebounder regularly for wear and tear. Discontinue use immediately if any defect or damaged parts are found.
- Keep away from fire and heat sources.

 **WARNING:**

**CHOKING HAZARD--Small parts  
Not for children under 3 yrs.**

- Unassembled parts may be a choking hazard for children 3 years and younger. Adult assembly is required.
- Children should not put arms, head or other body parts in holes in rebounder or net. Entrapment and/or strangulation can occur.
- Failure to follow the above mentioned Warnings may result in serious injury.

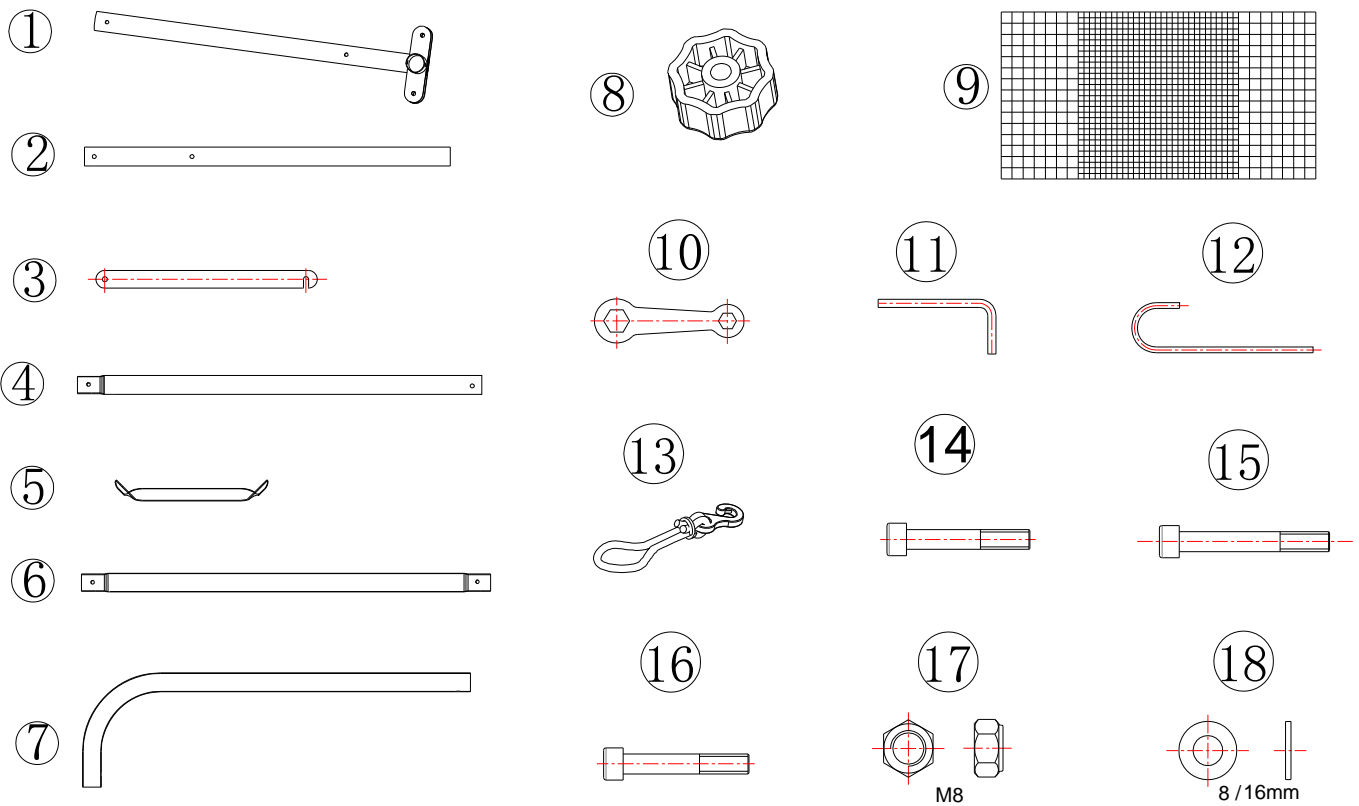
# PRiMED

Style Number: PRD00402 12X6 SOCCER REBOUNDER

## PACKAGE CONTENTS

PART NO.	DESCRIPTION	10'x 6'x 5'	
		SPEC/DIMENSION	QTY
1	T-SHAPED POLE	49.2"	2
2	STRAIGHT POLE	12.2"	4
3	Connecting Plate	14.7"	4
4	STRAIGHT POLE	45.8"	2
5	SUPPORT POLE	12.2"	2
6	STRAIGHT POLE	29.3"	4
7	L-SHAPED POLE	49.2"	2
8	Plastic Knob Nut M8	--	2
9	NET	--	1
10	Allen Wrench	--	1
11	L Wrench	--	1
12	Ground Stake	--	6
13	BUNGEE CORD	--	28
14	Bolt M8*50	--	2
15	Bolt M8*60	--	2
16	Bolt M8*55	--	8
17	Hex Nut M8	--	10
18	Washer $\Phi$ 8	--	20

## DIAGRAMS FOR PARTS



# PRIMED

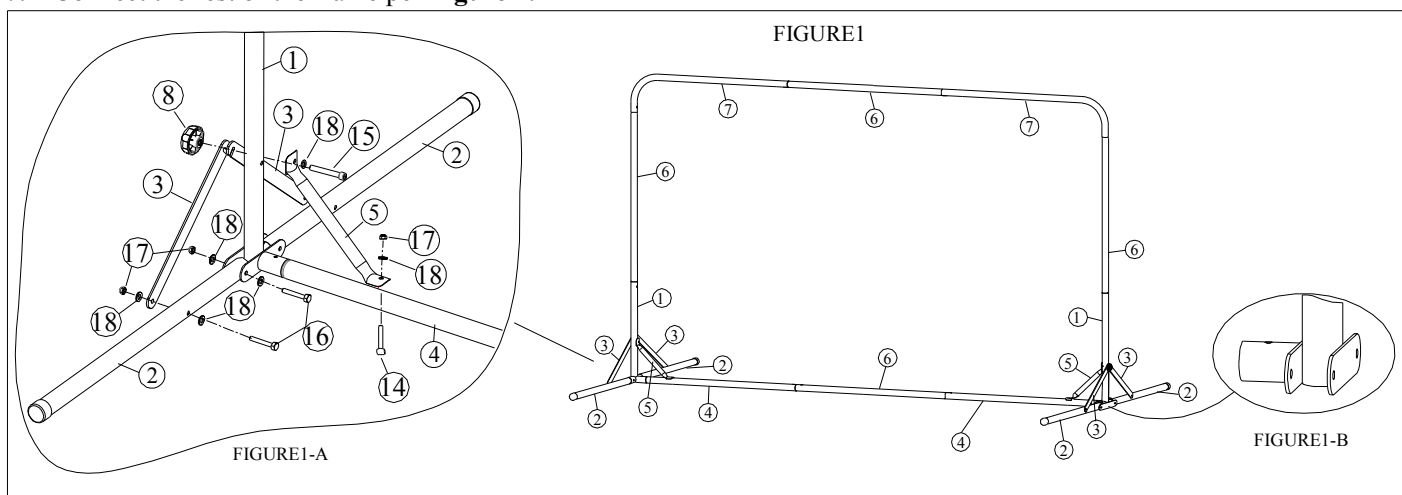
## Style Number: PRD00402 12X6 SOCCER REBOUNDER

### ASSEMBLING THE SOCCER GOAL

Assemble frame as shown in **Figure 1**. Please note that all frame parts have their related number stickers on them. Be sure that you select the correct frame during assembly and be sure that all snap buttons are secure as shown in **Figure 2**. To start, please leave all hardware in a hand tightened position until the frame is complete. Once the Trainer is fully constructed go back and secure all hardware.

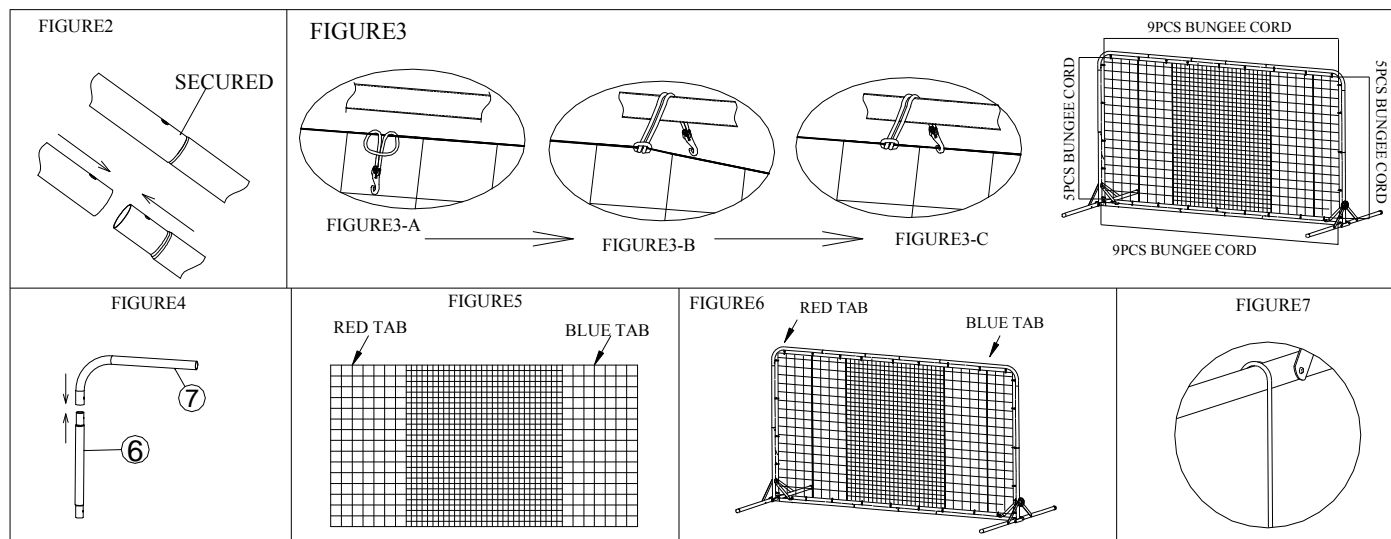
Follow the steps below to assemble the frame. Please reference **Figure 1** for further clarification.

1. Create base pole connecting Part #4 (2qty), and Part #6 (1qty).
2. Connect Part #1 with two Part #2 (2qty) using Part #16 (2qty), Part #18 (4qty), and Part #17 (2qty) as shown in **Figure 1A**. Then join the base pole (#4-#6-#4) to the inside opening on Part #1.
3. Connect Part #5 to Part #4 using Part #14 (1qty), Part #18 (1qty), and Part #17 (1qty).
4. Connect Part #3 (2qty) to Part #2 (2qty) using Part #16 (2qty), Part #18 (4qty), and Part #17 (2qty) as shown in **Figure 1A**.
5. Connect Part #3 (2qty), and Part #5 (1qty) to Part #1 using Part #8 (1qty), Part #18 (1qty), and Part #15 (1qty) as shown in **Figure 1A**.
6. Repeat step 1 to 5 for right side.
7. Connect the rest of the frame per **Figure 1**.



Finish assembling the goal by adding the net:

8. Spread the net, Part #9, on the ground as shown in **Figure 5**. Locate the Red Tab in the upper left hand corner and the Blue Tab in the upper right hand corner of the net.
9. Stretch the net evenly around the frame using the plastic bungee hooks as shown in **Figure 3**. Make sure that you attached the four corner bungees first. The Red Tab should be positioned in the upper left corner and the Blue Tab should be positioned in the upper right corner of the rebounder as shown in **Figure 7**.
10. Position frame in a suitable location and anchor the Trainer to the ground using the steel ground stakes, Part #12, as shown in **Figure 7**.

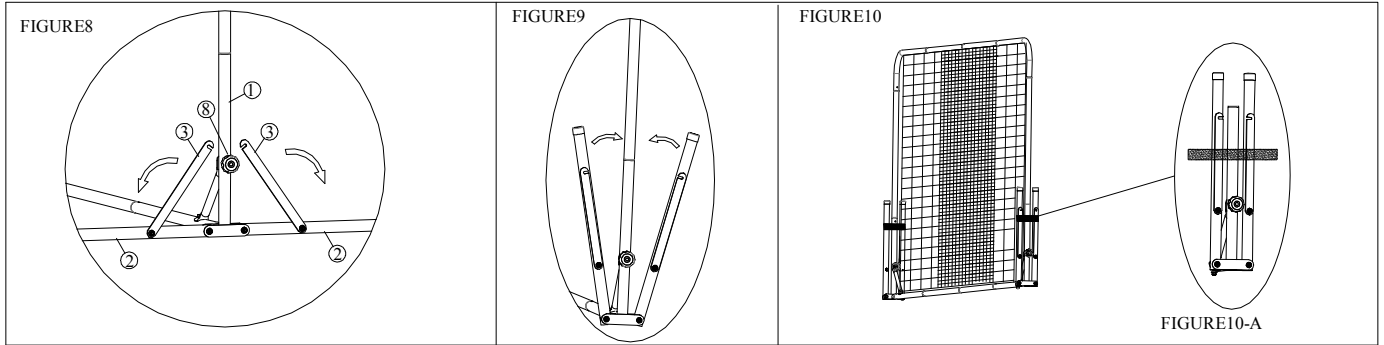


# PRIMED

## Style Number: PRD00402 12X6 SOCCER REBOUNDER

### Folding and storage

11. Please note that the legs can be folded for easy storage by loose Part #8 and fold Part #2 as shown in **Figure 8 to 10**.



**CAUTION:** When assembled, the rebounder is under tension. Extreme caution and appropriate judgment should always be exercised when assembling, disassembling, adjusting, or locating the PRIMED Soccer Rebounder.

**EVERY SEASON STARTS AT**



Limited Warranty

**Limited Warranty**

Dick's Sporting Goods, Inc. (the "Company") warrants this product to be free from defects in workmanship and materials under normal use and conditions for a period of ONE YEAR FROM THE DATE OF ORIGINAL PURCHASE. This Limited Warranty is not transferable and is available only for the original purchaser of the Product. The Company's obligation under this warranty is limited to replacing or repairing the Product, at the discretion of the Company.

EXCEPT AS SPECIFICALLY SET FORTH IN THIS LIMITED WARRANTY, DICK'S SPORTING GOODS, INC. MAKES NO REPRESENTATIONS OR WARRANTIES OF ANY KIND, EXPRESS OR IMPLIED, INCLUDING BUT NOT LIMITED TO ANY IMPLIED WARRANTIES OF MERCHANTABILITY OR FITNESS FOR ANY PARTICULAR PURPOSE WITH RESPECT TO ANY PRODUCT.

**Material Covered**

Except as detailed below, this Limited Warranty covers defects in materials and workmanship. This Limited Warranty is void if the Product is:

- Damaged through improper use, negligence, abuse, misuse, transportation, damage, acts of nature, or accident, to include failure to follow the assembly and or operating instructions supplied with the product.
- Used in commercial or rental applications.
- Modified or repaired by anyone not authorized by the Company.

**Material Not Covered**

This Limited Warranty does not cover expendable items including but not limited to: Batteries, light bulbs, fuses, accessories, and other items that experience wear as a result of normal use.

**Terms of Coverage**

If during the one year LIMITED WARRANTY period, the Company deems any part or component of the Product to be defective, the Company will repair the Product without charge, or at the option of the Company, will replace the Product with new product, either the same or an equivalent item.

The Company's liability is limited to the repair or replacement, at its option of any defective product.

**THE COMPANY ASSUMES NO RESPONSIBILITY NOR LIABILITY FOR INDIRECT OR CONSEQUENTIAL DAMAGES OF ANY KIND.**

**THIS LIMITED WARRANTY IS MADE IN LIEU OF ANY AND ALL OTHER WARRANTIES, EXPRESS OR IMPLIED, EXCEPT AS OTHERWISE PROVIDED BY APPLICABLE LAW.**

Please direct all Product inquiries to:

Dick's Sporting Goods, Inc.  
345 Court Street  
Coraopolis, PA 15108  
Customer Service  
1 866 677 4771  
customer.service@dcs.com