



WARNING

To avoid injury during assembly, disassembly, use, adjustment and/or location of the Hockey Goal, please observe the following WARNINGS:

- Two competent adults are required to assemble, disassemble, adjust, and/or locate the Hockey Goal.
- Extreme caution and appropriate judgment should ALWAYS be exercised when assembling, disassembling, using, adjusting, or locating the Hockey Goal.
- NEVER climb on or hang from the Hockey Goal.
- ALWAYS anchor the Hockey Goal as instructed prior to use. An unsecured Hockey Goal can cause serious injury.
- The Hockey Goal should be placed on a flat surface that is suitable for play while ensuring maximum user safety.
- Remove and properly store net when goal is not in use.
- Fully disassemble the Hockey Goal for seasonal storage.
- Do not leave the Hockey Goal outdoors in inclement weather as moisture and other elements may adversely affect the performance of the unit.
- Ensure all components are properly assembled prior to use.
- Examine your Hockey Goal regularly for wear and tear. Discontinue use immediately if any defect is found.
- Keep away from fire and heat sources.



WARNING:

**CHOKING HAZARD--Small parts
Not for children under 3 yrs.**

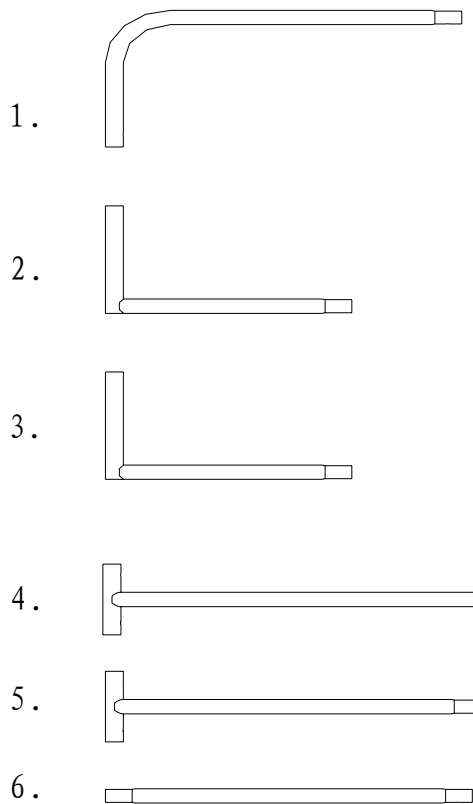
- Unassembled parts may be a choking hazard for children 3 years and younger. Adult assembly and supervision is required.
- Failure to follow the above mentioned Warnings may result in injury.

1. PACKING CONTENTS:

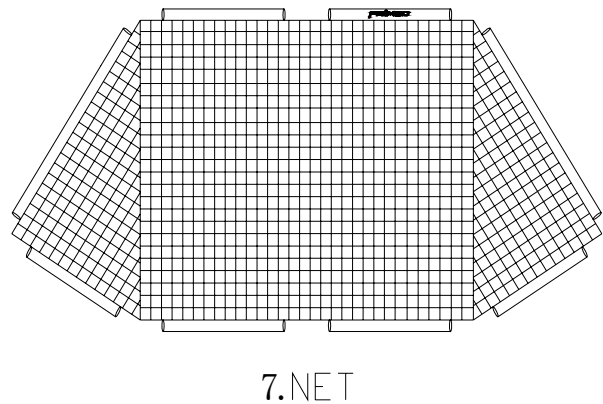
SEQ.	PARTS NAME	SIZE: 54"X44"X26"	
		SPEC.	Q'TY
1	L-SHAPED POLE	28.8"X12"	4
2	RIGHT L-SHAPED BOTTOM POLE	19.2"X9.4"	1
3	LEFT L-SHAPED BOTTOM POLE	19.2"X9.4"	1
4	T-SHAPED LOWER POLE	26.3"X6.2"	1
5	T-SHAPED UPAS SHOWN INPOLE	26.3"X6.2"	1
6	FRONT STRAIGHT POLE	29.8"	2
7	NET	-	1

2. DIAGRAMS FOR PARTS:

POLES:



OTHERS:



* Be sure that all Push-Pins are secured tightly.

2. Assembling the hockey goal

- 1) Spread the net on the floor as shown in **figure 1**.
*note: the PRIMED LOGO screen print indicates the up as shown In left corner of the sleeve net as shown in **figure 1**.

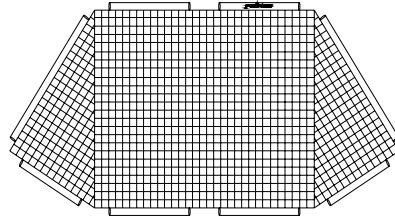


Figure 1

PLEASE NOTE: The net will be sleeved over the poles as you build the goal as shown in below instructions.

Assemble the frame in accordance with pole numbers as shown in **figure 2-5**, following the steps below. Be sure that all push-pins are tightly secured.

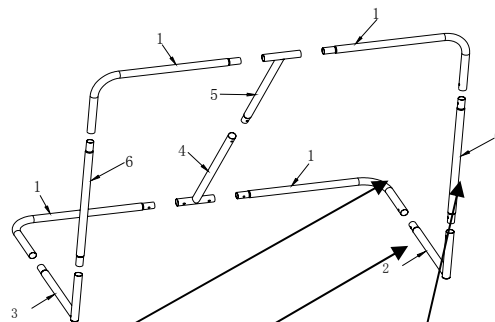


Figure 2

- 2) Insert right poles 1 (base pole), 2 (right L-shaped bottom pole), and 6 (front straight pole) into net sleeve as shown in **figure 2** and connect L-Shaped Pole 1 and Front Straight Pole 6 to right L-Shaped Bottom Pole 2.

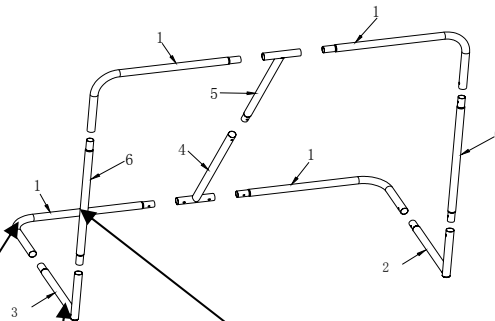
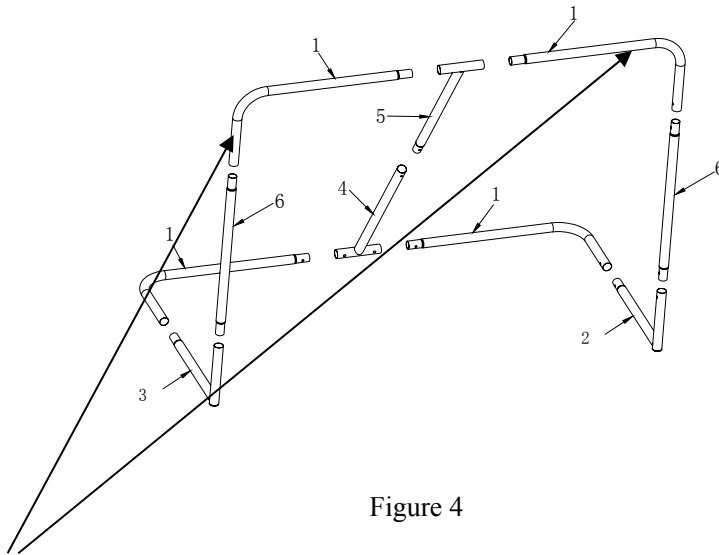
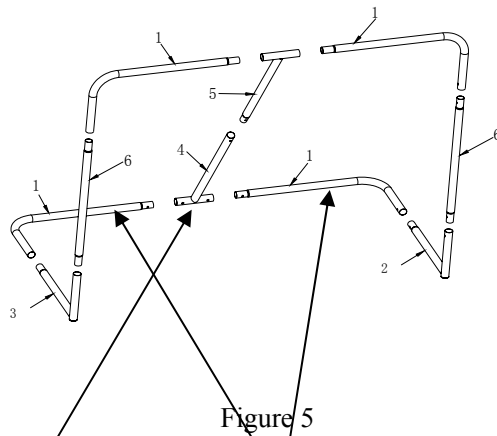


Figure 3

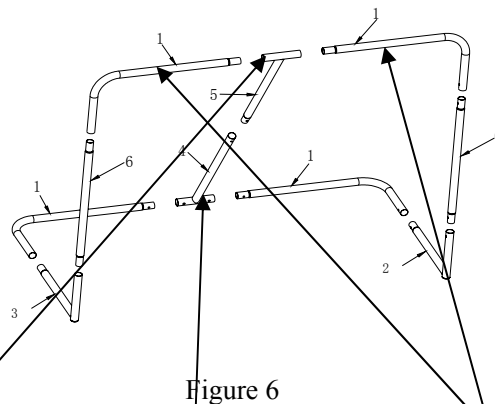
- 3) Insert left poles 1 (base pole), 3 (left L-shaped bottom pole), and 6 (front straight pole) into net sleeve as shown in **figure 3** and connect L-shaped pole 1 and front straight pole 6 to left L-shaped bottom pole 3.



- 4) Insert L-Shaped Pole 1 (top poles) into net sleeve as shown in **figure 4** and connect L-Shaped Pole 1 to Straight Pole 6 for both sides.



- 5) Connect T-Shaped Lower Pole 4 to back base L-Shaped Poles 1 as shown in **figure 5**.



- 6) Connect T-shaped pole 5 to T-shaped lower pole 4, and between top two L-shaped poles 1 as shown in **figure 6**.
- 7) Make sure that all push-pins are secured tightly.

***this product must be assembled under supervision of an adult.**



Limited Warranty

Dick's Sporting Goods, Inc. (the "Company") warrants this product to be free from defects in workmanship and materials under normal use and conditions for a period of ONE YEAR FROM THE DATE OF ORIGINAL PURCHASE. This Limited Warranty is not transferable and is available only for the original purchaser of the Product. The Company's obligation under this warranty is limited to replacing or repairing the Product, at the discretion of the Company.

EXCEPT AS SPECIFICALLY SET FORTH IN THIS LIMITED WARRANTY, DICK'S SPORTING GOODS, INC. MAKES NO REPRESENTATIONS OR WARRANTIES OF ANY KIND, EXPRESS OR IMPLIED, INCLUDING BUT NOT LIMITED TO ANY IMPLIED WARRANTIES OF MERCHANTABILITY OR FITNESS FOR ANY PARTICULAR PURPOSE WITH RESPECT TO ANY PRODUCT.

Material Covered

Except as detailed below, this Limited Warranty covers defects in materials and workmanship. This Limited Warranty is void if the Product is:

- ° Damaged through improper shown in use, negligence, abuse, misuse, transportation, damage, acts of nature, or accident, to include failure to follow the assembly and or operating instructions supplied with the product.
- ° Used in commercial or rental applications.
- ° Modified or repaired by anyone not authorized by the Company.

Material Not Covered

This Limited Warranty does not cover expendable items including but not limited to: Batteries, light bulbs, fuses, accessories, and other items that experience wear as a result of normal use.

Terms of Coverage

If during the one year LIMITED WARRANTY period, the Company deems any part or component of the Product to be defective, the Company will repair the Product without charge, or at the option of the Company, will replace the Product with new product, either the same or an equivalent item.

The Company's liability is limited to the repair or replacement, at its option of any defective product.

THE COMPANY ASSUMES NO RESPONSIBILITY NOR LIABILITY FOR INDIRECT OR CONSEQUENTIAL DAMAGES OF ANY KIND.

THIS LIMITED WARRANTY IS MADE IN LIEU OF ANY AND ALL OTHER WARRANTIES, EXPRESS OR IMPLIED, EXCEPT AS OTHERWISE PROVIDED BY APPLICABLE LAW.

Please direct all Product inquiries to:

Dick's Sporting Goods, Inc.
345 Court Street
Coraopolis, PA 15108
Customer Service
1 866 677 4771
customer.service@dcs.com