



To avoid injury during assembly, disassembly, use, adjustment and/or location of the Hockey Backstop, please observe the following WARNINGS:

- Two competent adults are required to assemble, disassemble, adjust, and/or locate the Hockey Backstop.
- Extreme caution and appropriate judgment should ALWAYS be exercised when assembling, disassembling, using, adjusting, or locating the Hockey Backstop.
- NEVER climb on or hang from the Hockey Backstop.
- ALWAYS anchor the Hockey Backstop as instructed prior to use. An unsecured hockey backstop can cause serious injury.
- The Hockey Backstop should be placed on a flat surface that is suitable for play while ensuring maximum user safety.
- Remove and properly store net when backstop is not in use.
- Fully disassemble the Hockey Backstop for seasonal storage.
- Do not leave the Hockey Backstop outdoors in inclement weather as moisture and other elements may adversely affect the performance of the unit.
- Ensure all components are properly assembled prior to use.
- Examine your Hockey Backstop regularly for wear and tear. Discontinue use immediately if any defect is found.
- Keep away from fire and heat sources.



WARNING:

**CHOKING HAZARD--Small parts
Not for children under 3 yrs.**

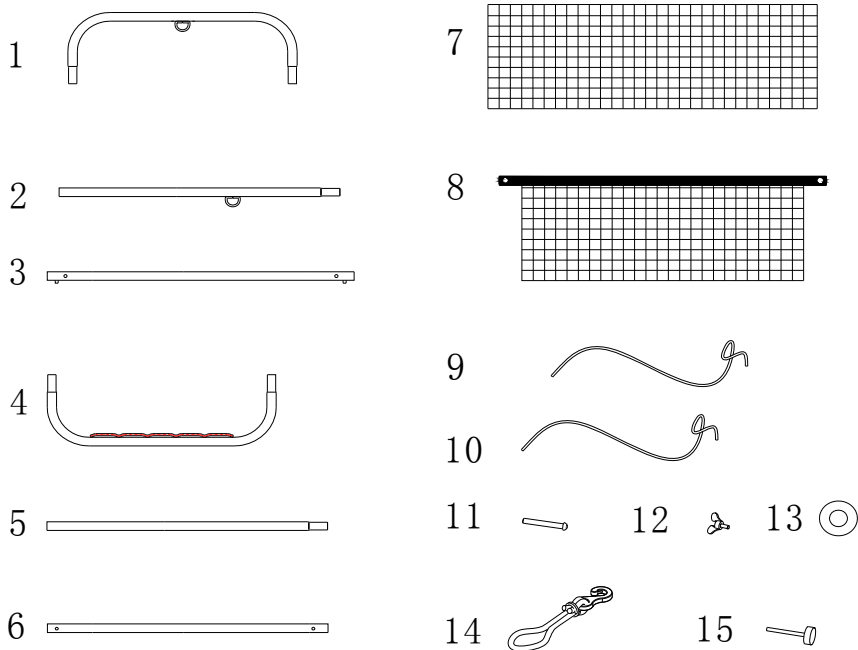
- Unassembled parts may be a choking hazard for children 3 years and younger. Adult assembly and supervision is required.
- Failure to follow the above mentioned Warnings may result in injury.

1. PACKAGE CONTENTS:

SEQ.	PARTS NAME	SIZE:	
		SPEC.	Q' TY
1	Upper U Pole	24"	2
2	Inside Upper Straight Pole	29.4"	2
3	Inside Lower Straight Pole A	32.16"	2
4	Lower U Pole	24"	2
5	Outside Upper Pole	29.4"	2
6	Outside Lower Pole	32.16"	2
7	Net A		2
8	Net B		1
9	Long Nylon Rope	295.2"	2
10	Long Nylon Rope	196.8	2
11	Bolt		4
12	Butterfly Nut		4
13	Washer $\phi 6$		4
14	Bungee Cord		2
15	Locking Bolt		4

2, DIAGRAMS FOR PARTS:

POLES:



THIS BACKSTOP CAN BE USED WITH PRIMED 54" AUTHENTIC HOCKEY GOAL, PRD00603, AND PRIMED 72" AUTHENTIC HOCKEY GOAL, PRD00604.

Note: Be sure that all push-pins are secured tightly.

3. ASSEMBLING THE BACKSTOP FRAME

Assemble the backstop frame in accordance with pole numbers as shown in **figure 1**. Be sure that all push-pins are tightly secured.

- 1) Connect both Lower Poles 3 and 6 to Lower U Pole (4).
- 2) Connect both Upper Poles 5 and 2 to both Lower Poles 6 and 3, respectively.
- 3) Connect the Upper U Pole (1) to Poles 5 and 2.
- 4) Repeat step 1 through 3 for the right side frame.
- 5) Check and make sure all push-pins are tightly secured into position.

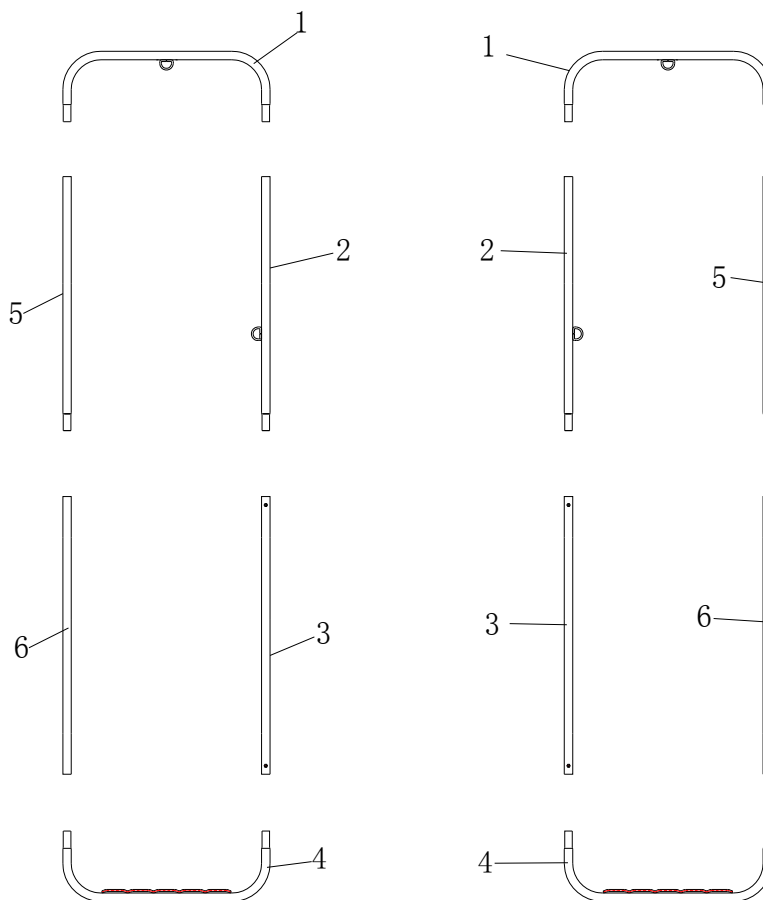


Figure 1

4. ATTACHING THE SIDE NET

- 6) Spread the Net A on the floor as **figure 2**.

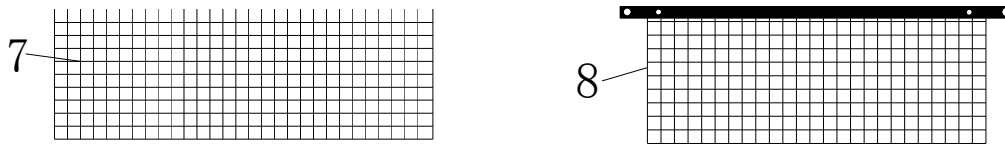


Figure 2

- 7) Attach the Net A onto the both Backstop frames per **figure 3**. * **BE SURE TO STRING THROUGH EVERY OTHER NET LOOP WHEN STRINGING.**

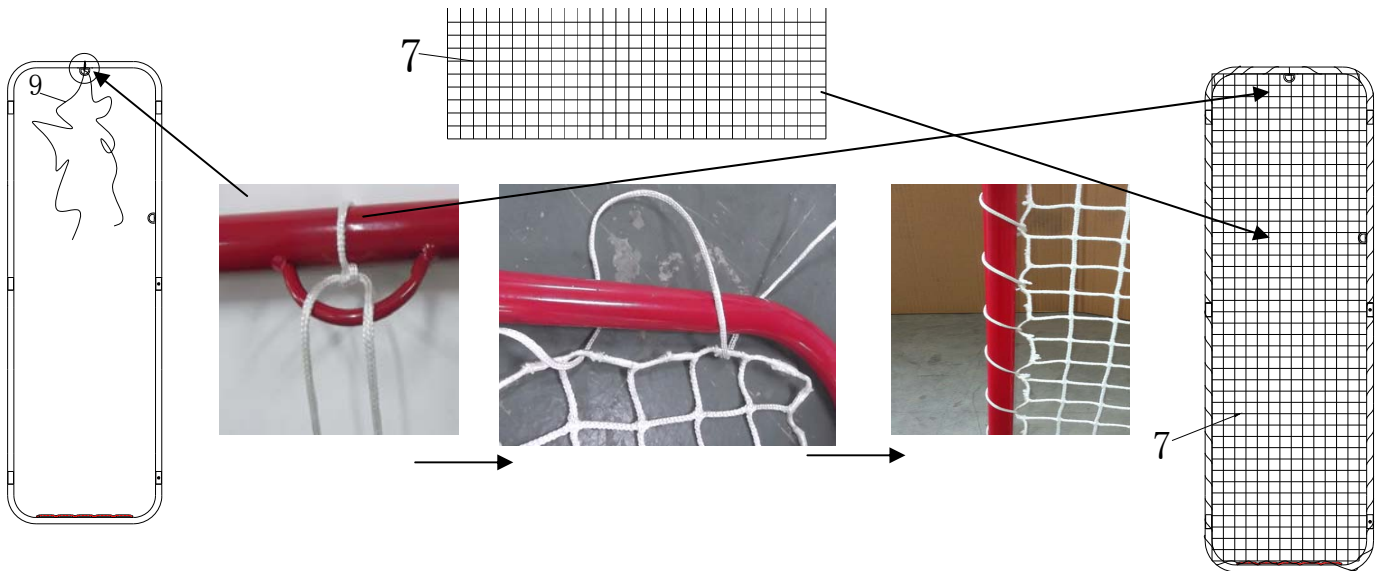


Figure 3

- 8) Attach both Backstop frames to the Hockey Backstop frame using four Bolts (11) and for Butterfly Nuts (12) as shown **figure 4A**.

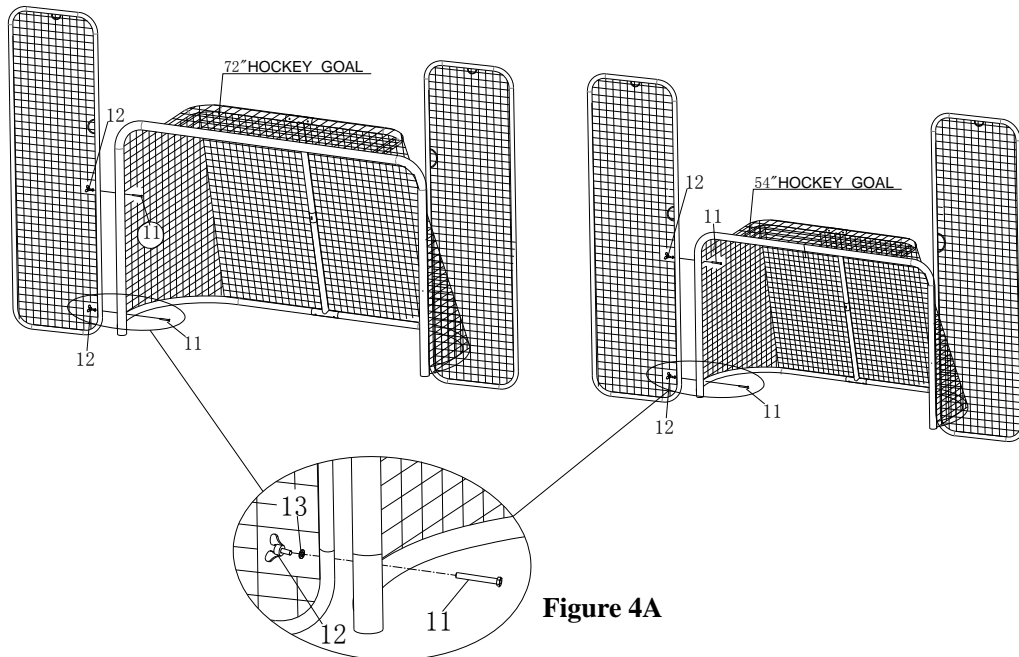


Figure 4A

Figure 4

- 9) Spread the Net B on the floor as shown in **figure 2**.

5. ATTACHING THE UPPER NET

- 10) Tie top of Net B to the welded loops on both Top U Poles (1) using Bungee Cord (14), as shown in **figure 5A**.
- 11) Tie remaining of Net B to both Backstop frames and Hockey Goal as shown in **figure 5B and 5C**.
- 12) Put both Locking Bolts (15) onto both Inside Lower Straight Poles (3), as shown in **figure 7**.

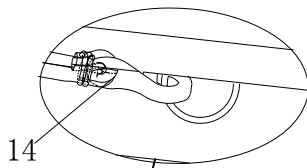


Figure 5A

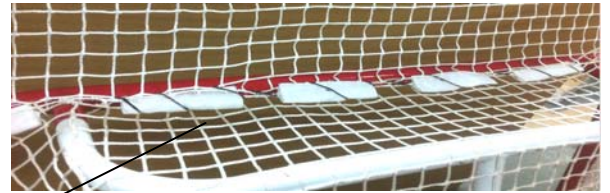


Figure 5B



Figure 5C

Figure 5. 72" Hockey Backstop Attachment

6. 54" HOCKEY BACKSTOP ATTACHMENT

13) Please note that since 54" backstop is smaller, there will be extra Net B area needs to be overlapped into both side frames as shown in **figure 6**.

14) Attached Net A and B as shown in **Figure 6**.



Figure 6B



Figure 6C

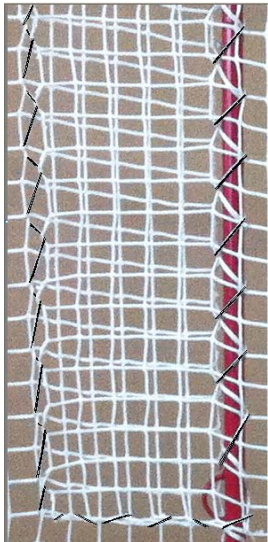


Figure 6D

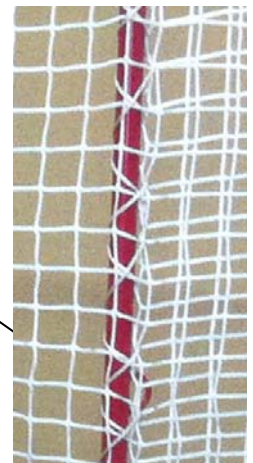


Figure 6A

Figure 6. 54" Hockey Backstop Attachment

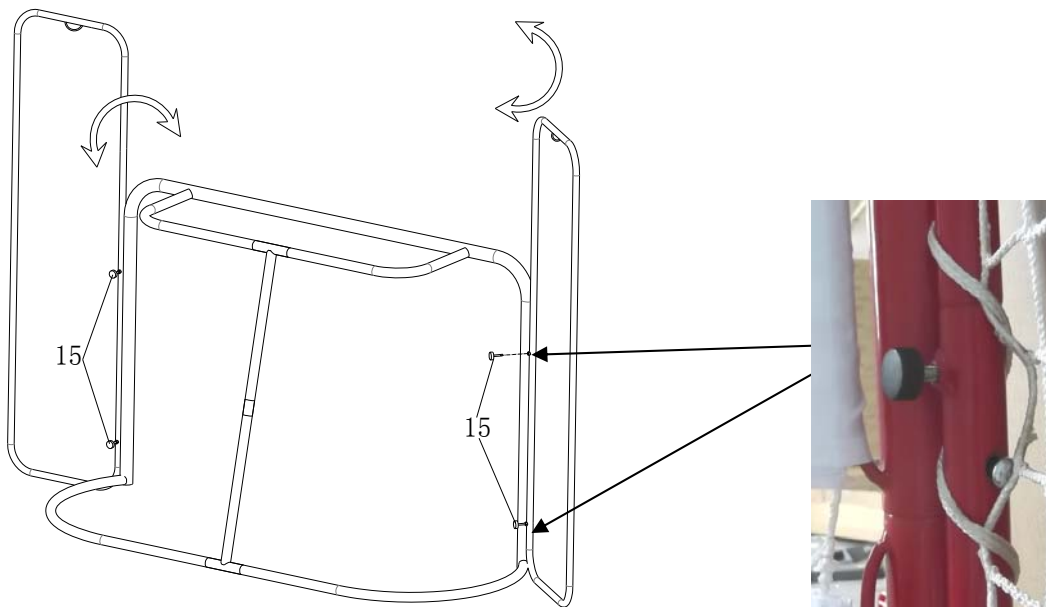


Figure 7

- This product must be assembled under the supervision of an adult.

15) Note: Both backstop frames angle can be adjusted, as shown in figure 7. Please tighten both Locking Bolts (15) once the angle is set.



Limited Warranty

Limited Warranty

Dick's Sporting Goods, Inc. (the "Company") warrants this product to be free from defects in workmanship and materials under normal use and conditions for a period of ONE YEAR FROM THE DATE OF ORIGINAL PURCHASE. This Limited Warranty is not transferable and is available only for the original purchaser of the Product. The Company's obligation under this warranty is limited to replacing or repairing the Product, at the discretion of the Company.

EXCEPT AS SPECIFICALLY SET FORTH IN THIS LIMITED WARRANTY, DICK'S SPORTING GOODS, INC. MAKES NO REPRESENTATIONS OR WARRANTIES OF ANY KIND, EXPRESS OR IMPLIED, INCLUDING BUT NOT LIMITED TO ANY IMPLIED WARRANTIES OF MERCHANTABILITY OR FITNESS FOR ANY PARTICULAR PURPOSE WITH RESPECT TO ANY PRODUCT.

Material Covered

Except as detailed below, this Limited Warranty covers defects in materials and workmanship. This Limited Warranty is void if the Product is:

- ° Damaged through improper use, negligence, abuse, misuse, transportation, damage, acts of nature, or accident, to include failure to follow the assembly and or operating instructions supplied with the product.
- ° Used in commercial or rental applications.
- ° Modified or repaired by anyone not authorized by the Company.

Material Not Covered

This Limited Warranty does not cover expendable items including but not limited to: Batteries, light bulbs, fuses, accessories, and other items that experience wear as a result of normal use.

Terms of Coverage

If during the one year LIMITED WARRANTY period, the Company deems any part or component of the Product to be defective, the Company will repair the Product without charge, or at the option of the Company, will replace the Product with new product, either the same or an equivalent item.

The Company's liability is limited to the repair or replacement, at its option of any defective product. **THE COMPANY ASSUMES NO RESPONSIBILITY NOR LIABILITY FOR INDIRECT OR CONSEQUENTIAL DAMAGES OF ANY KIND.**

THIS LIMITED WARRANTY IS MADE IN LIEU OF ANY AND ALL OTHER WARRANTIES, EXPRESS OR IMPLIED, EXCEPT AS OTHERWISE PROVIDED BY APPLICABLE LAW.

Please direct all Product inquiries to:

Dick's Sporting Goods, Inc.
345 Court Street
Coraopolis, PA 15108
Customer Service
1 866 677 4771
customer.service@dcsfg.com